



 <p>EC REP Advena Limited Tower Business Centre, 2nd Flr Tower Street, Swatar, BKR 4013 Malta</p>	 <p>UK CA</p>	<p>UK Responsible Person Qfix Medical Limited 3rd Floor, Chancery House St. Nicholas Way Sutton, Surrey SM1 1JB United Kingdom</p>
 <p>Made in the USA by Qfix 440 Church Rd, Avondale, Pennsylvania, USA +1 484-720-6053 www.Qfix.com</p>	<p>CH REP</p>	<p>Raditec Medical AG Schlossberg 5a 5454 Bellikon Switzerland</p>

2009122_EN_A / 2023-01

INSTALLATION MANUAL

RT-4700-04 Insight™ MRI Overlay,
Siemens® Free.Max™

TOOLS & HARDWARE REQUIRED

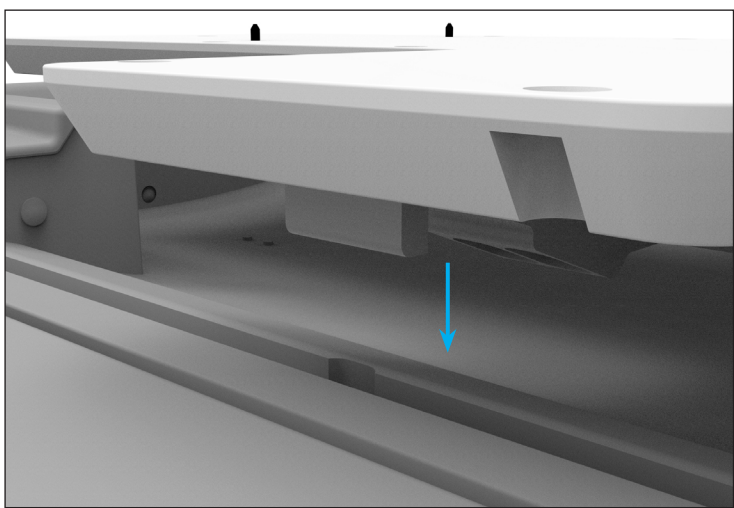
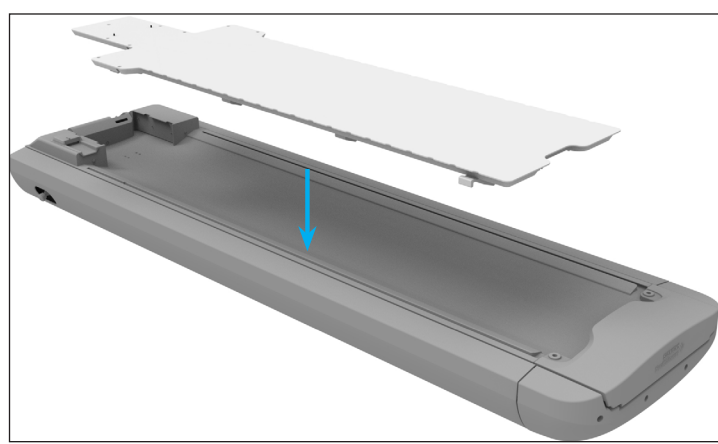
! NOTE ! Use only MR Safe tools.



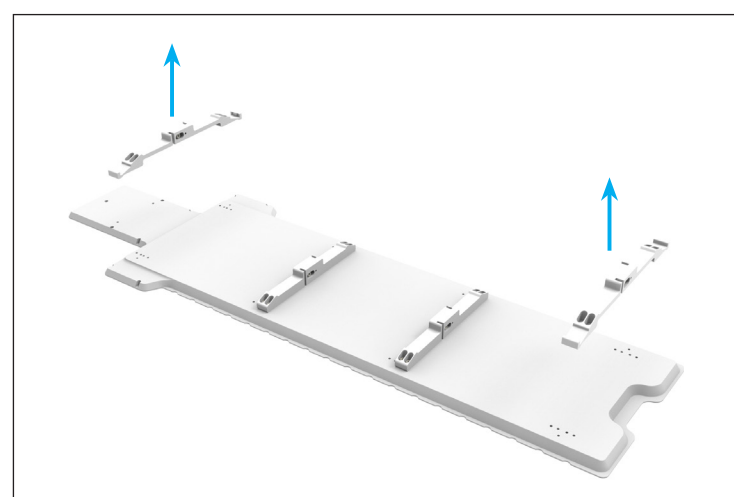
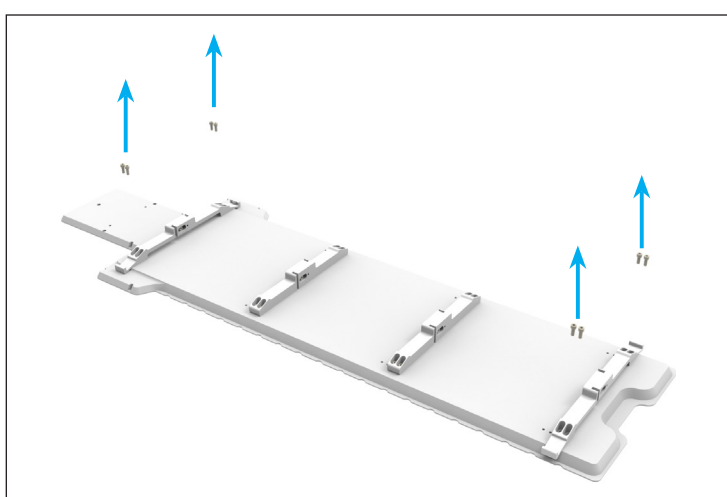
6 mm Hex Key

INSTALLATION INSTRUCTIONS

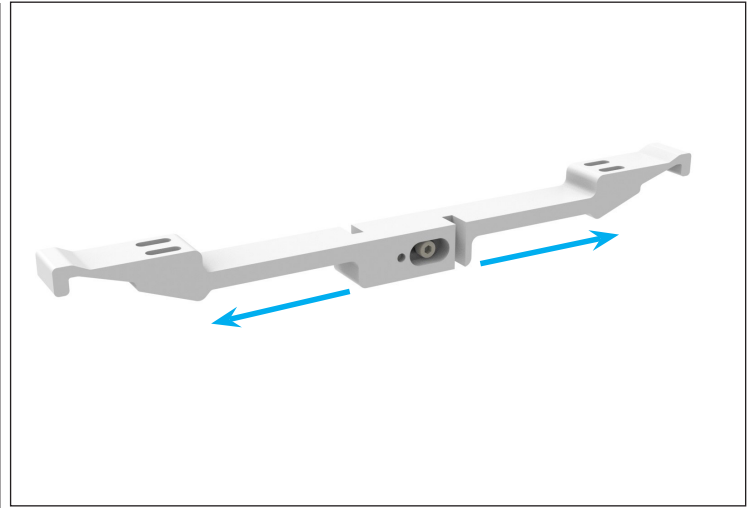
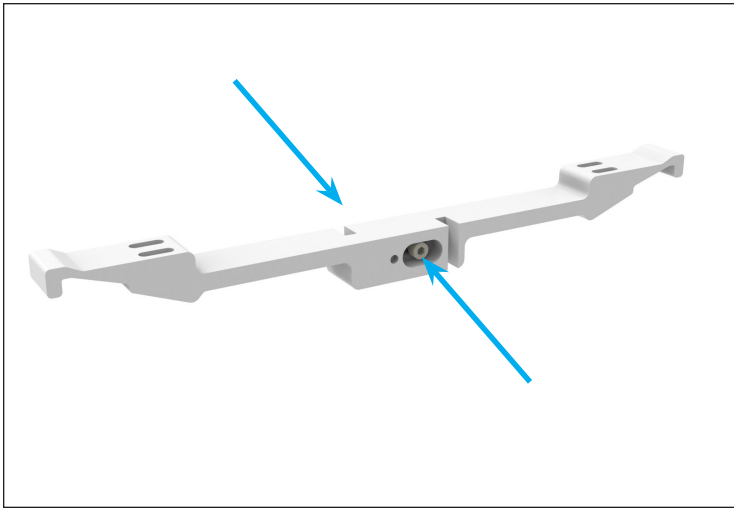
- Using the shoulder end notch and hooks to align the overlay to the scanner, place the overlay onto the cradle. If the notch and hooks do not align properly, remove the overlay, and follow the steps below.



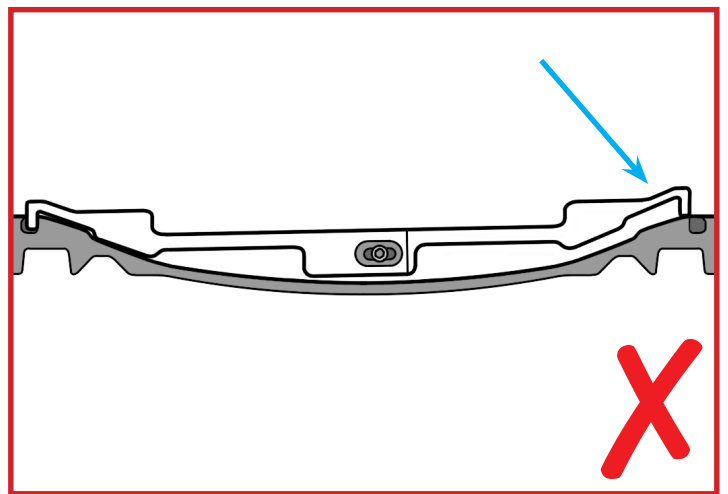
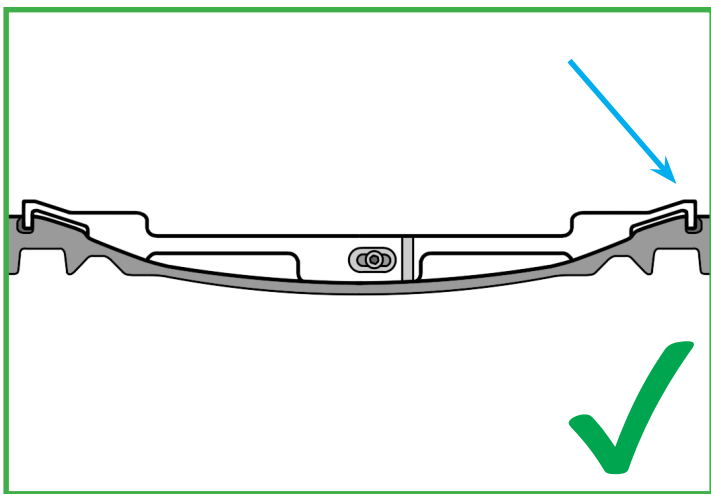
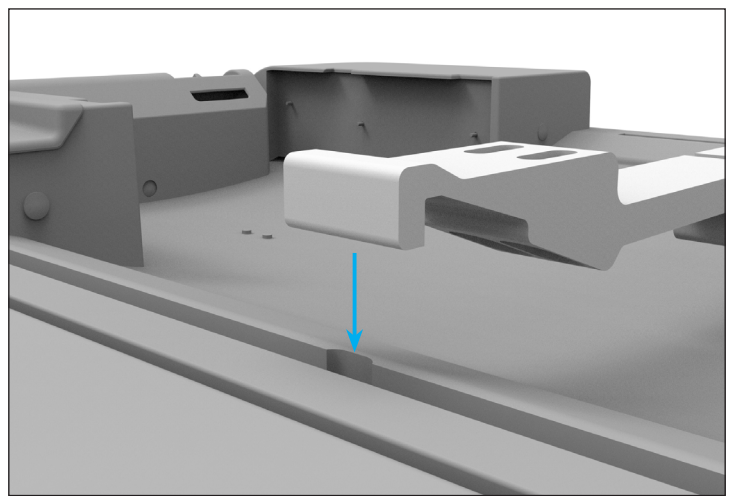
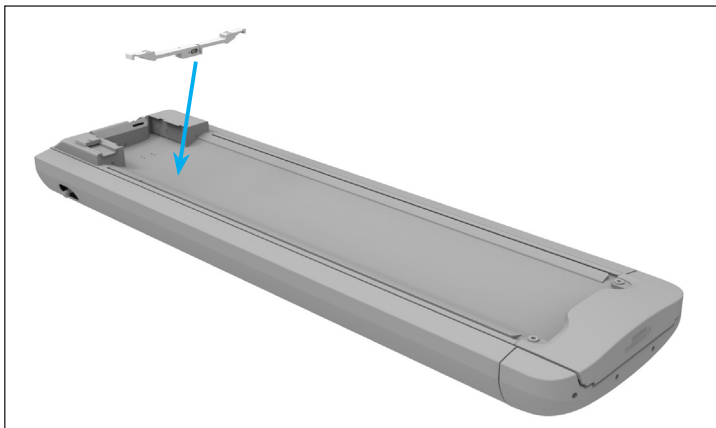
- Remove the shoulder and foot mounting hardware from the underside of the Free.Max Insight using a 6 mm hex key.

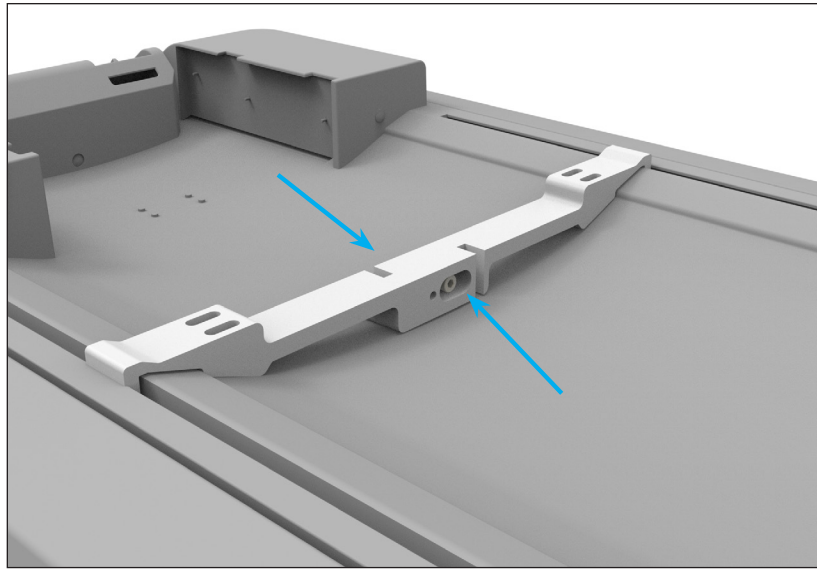


3. Loosen the central screws on the mounting hardware (one on either side) to allow the mounting hardware to adjust width.

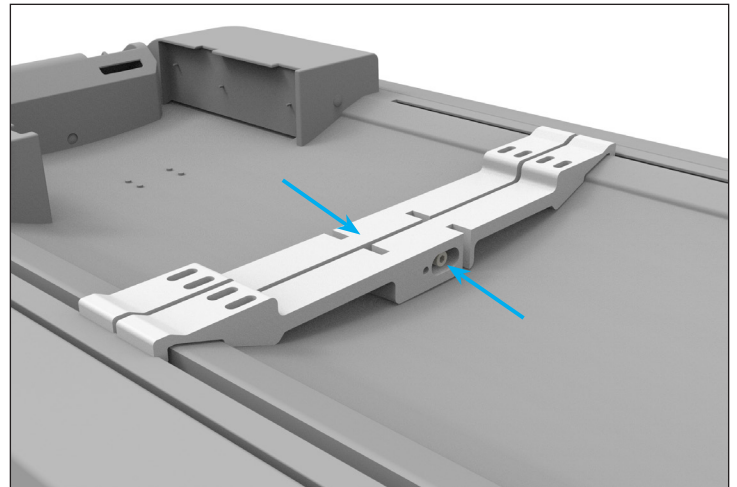
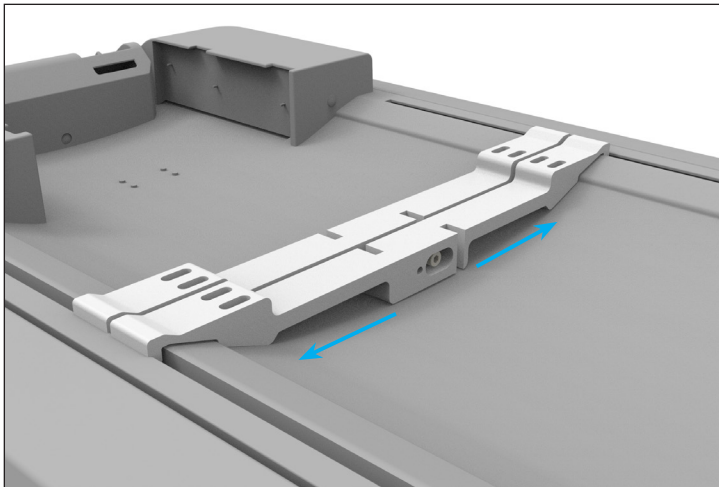
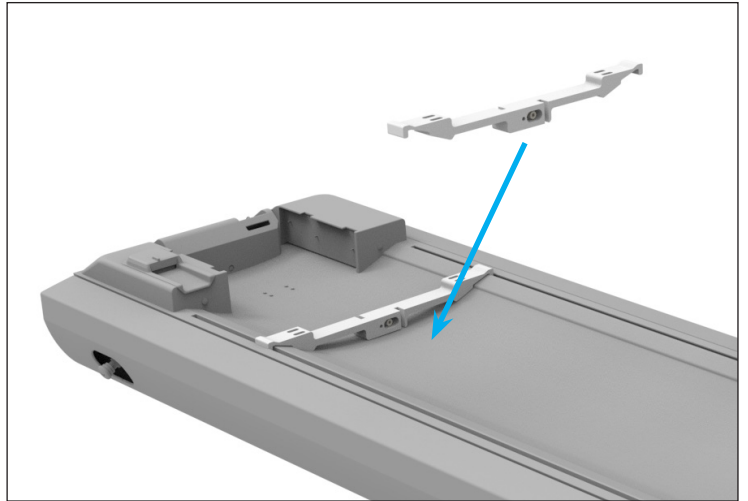
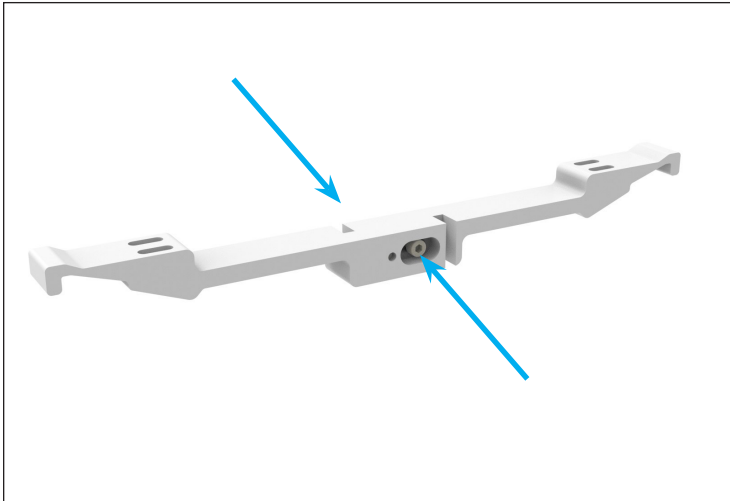


4. Place shoulder mounting hardware into the notch on the scanner cradle. Allow the scanner cradle to set the width of the mounting hardware so that the most lateral ends contact the cradle of the scanner. Once set, tighten the central screw to lock the adjustment.

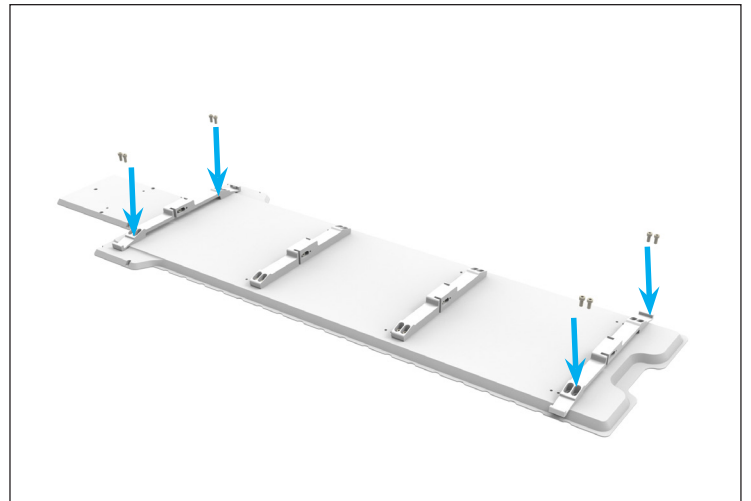
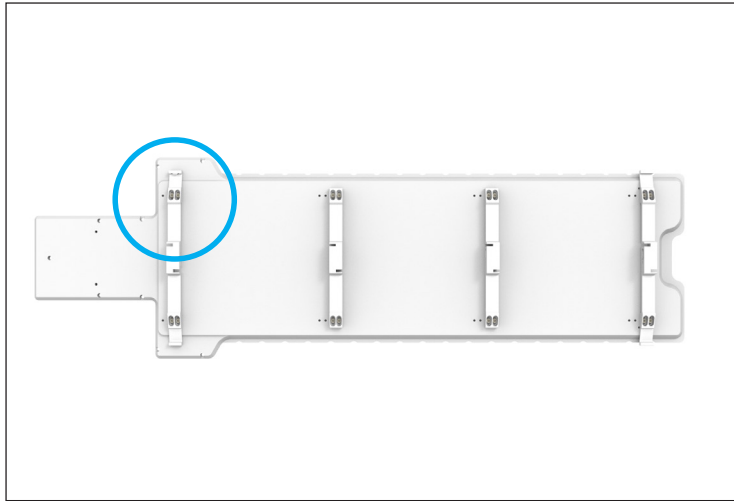
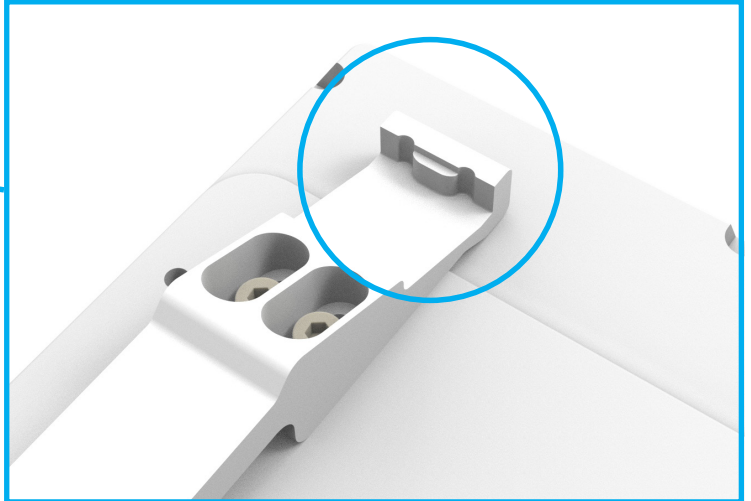
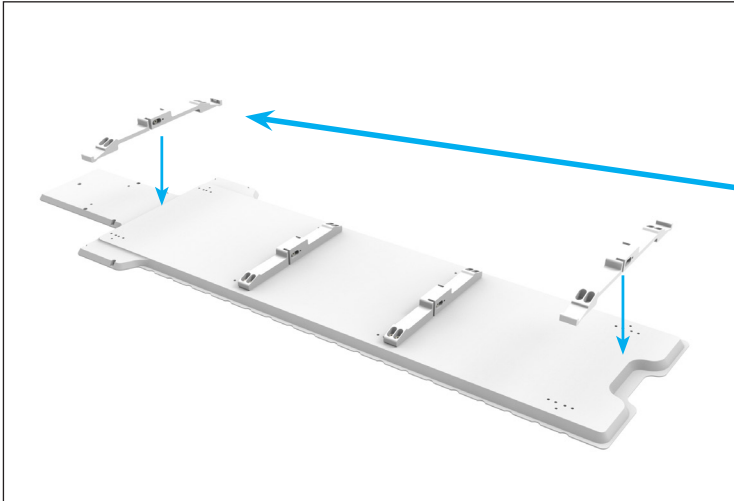




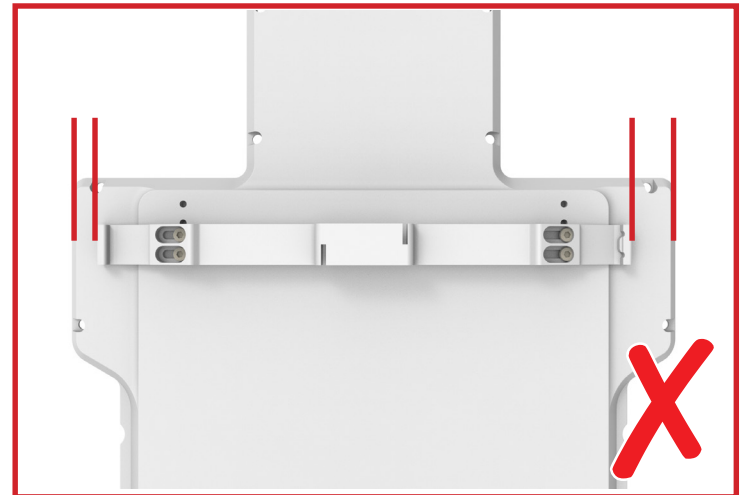
5. After the shoulder mounting hardware is set, loosen the central screws on the foot mounting hardware and place next to the shoulder mounting hardware. Set the width to match and then tighten the central screws to lock the adjustment.



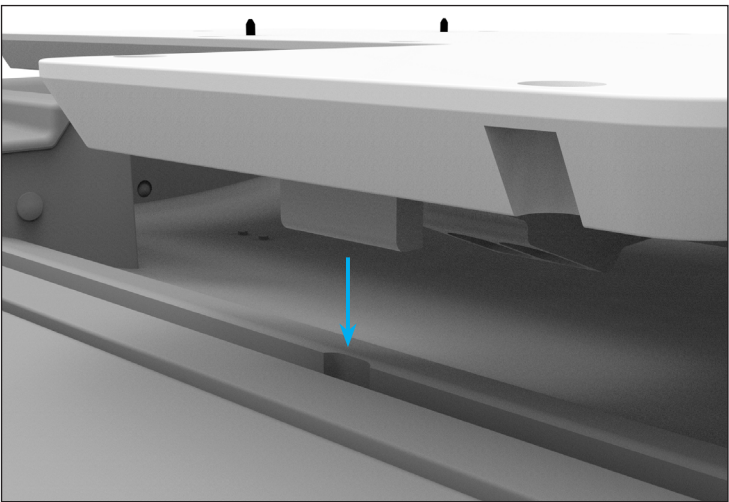
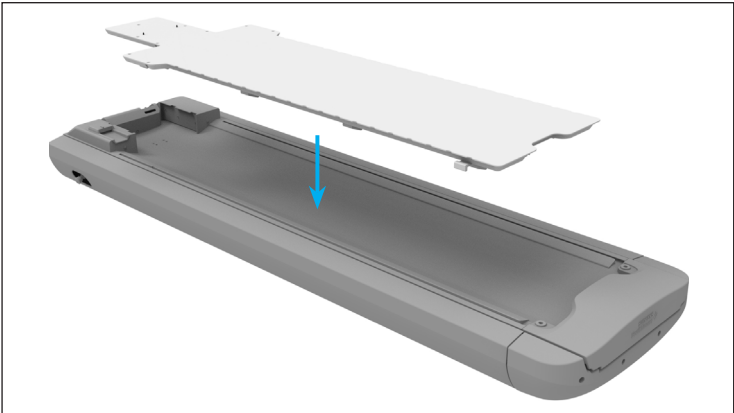
6. Once both sets of mounting hardware are properly setup, reinstall onto the underside of the overlay.



! NOTE ! Ensure that the shoulder notch is in the correct spot and ensure mounting hardware is centered on the overlay when reinstalling.



7. Using the shoulder end notch to align the overlay to the scanner, place the overlay onto the cradle.



Insight is a registered trademark of Qfix.