

INSTALLATION MANUAL

XT-5100-60

Iris AirShuttle™ Rails

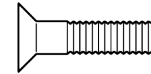
 <p>EC REP Advena Limited Tower Business Centre, 2nd Flr Tower Street, Swatar, BKR 4013 Malta</p>	 <p>UK Responsible Person QServe Group UK, Ltd. 49 Greek Street Soho, London W1D 4EG United Kingdom</p>
 <p>Made in the USA by Qfix 440 Church Rd, Avondale, Pennsylvania, USA +1 484-720-6053 www.Qfix.com</p>	<p>CH REP Raditec Medical AG Schlossberg 5a 5454 Bellikon Switzerland</p>

2009100_EN_A / 2023-04

TOOLS & HARDWARE REQUIRED



6 mm Hex Key



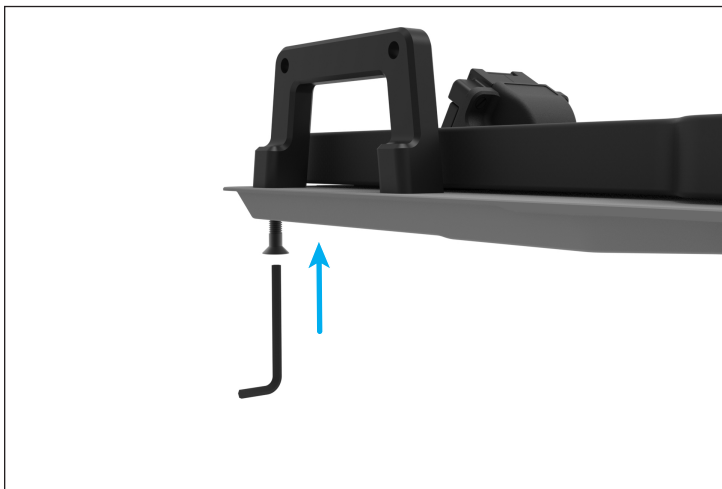
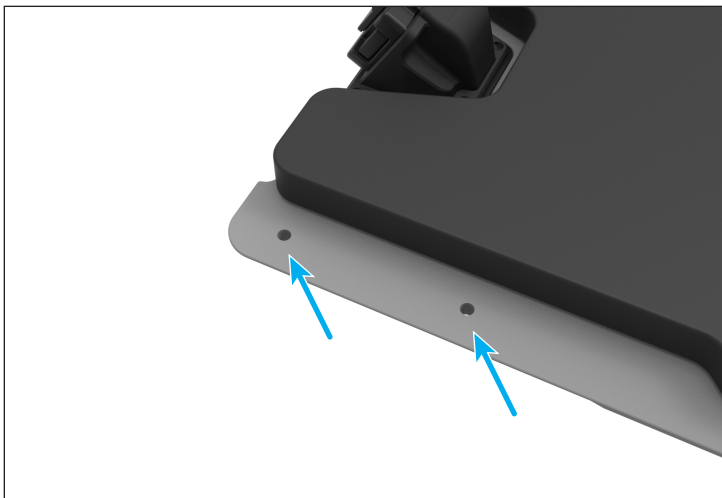
Custom Flat Head Screw
(Provided by Qfix)

INSTALLATION INSTRUCTIONS

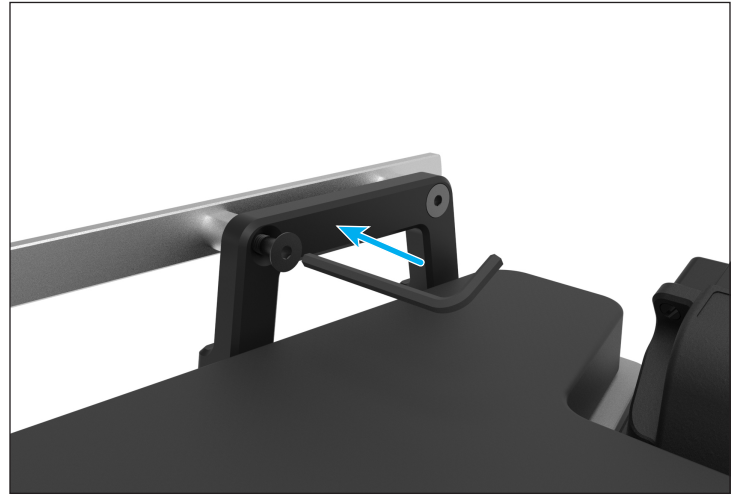
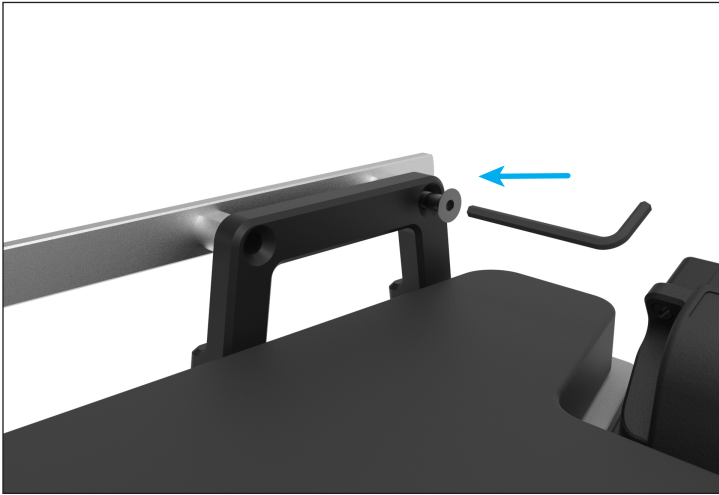
! WARNING ! Use only the custom screws provided by Qfix® to maintain MR conditionality.

! WARNING ! MAINTENANCE AND OTHER SERVICE OF AIRSHUTTLE SHOULD NEVER BE PERFORMED IN AN MR ENVIRONMENT. Consult the AirShuttle™ Product Guide and User Manual (IFU) for MR compatibility.

1. Attach the Accessory Handles to the foot end of the Iris AirShuttle using a 6 mm hex key and the provided screws as shown below.

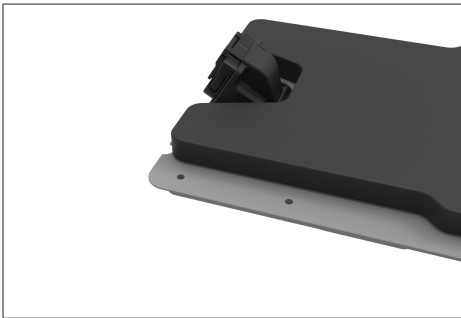


2. Attach the Accessory Rail to the Access Handle with two provided screws as shown below. Be sure to properly tighten all screws.

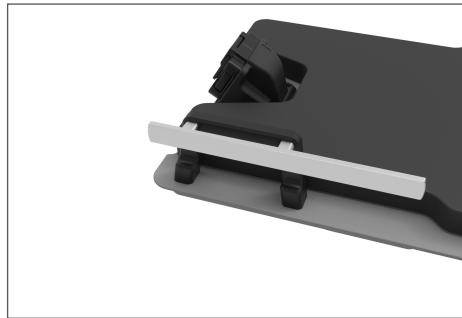


3. Attach the Handles and Rail on the other side by repeating steps 1 and 2.

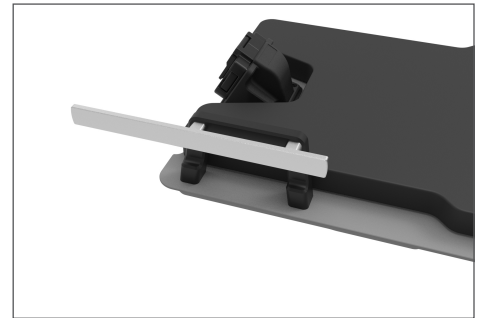
HANDLE AND RAIL CONFIGURATIONS



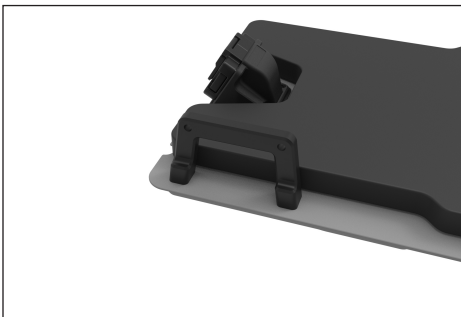
No Handle



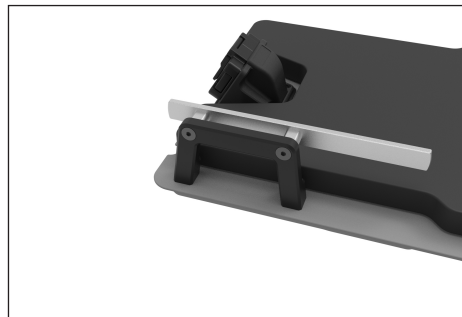
Exterior Rail Forward



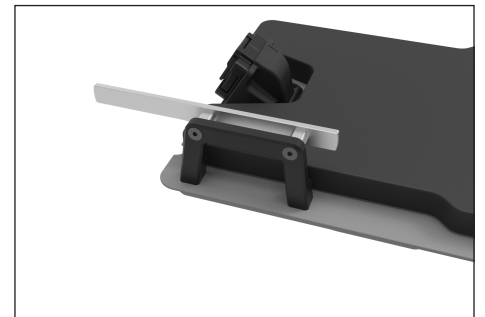
Exterior Rail Rear



Handle Only



Interior Rail Forward



Interior Rail Rear

Qfix is a registered trademark of Qfix.
Iris AirShuttle, and AirShuttleare trademarks of Qfix.