



positioning  
patients for life.®


# PRODUCT GUIDE & USER MANUAL

RT-4550KVQ

kVue™ Insert Docking Plate





EC REP	Advena Limited Tower Business Centre, 2nd Flr Tower Street, Swatar, BKR 4013 Malta		Made in the USA Qfix 440 Church Rd, Avondale, Pennsylvania, USA +1 610-268-0585 www.Qfix.com
--------	---	---	---

kVue, OneTouch are trademarks of Qfix.

Exact® is a registered trademarks of Varian Medical Systems.

Cidex® is a registered trademark of Johnson & Johnson

Clorox® is a registered trademark of The Clorox Company.

# TABLE OF CONTENTS

GENERAL PRECAUTIONS.....	4
WARNING STATEMENTS .....	4
SERIOUS INCIDENTS.....	4
COLLISION HAZARDS.....	4
WARNING LABELS & DESCRIPTIONS .....	5
INTENDED USE.....	6
OPERATING INSTRUCTIONS.....	7
SET-UP WITH LOCATION BARS.....	7
INSTALLATION.....	8
REMOVAL.....	10
MAINTENANCE.....	11
CLEANING THE SYSTEM .....	11
CLEANING AND LUBRICATING PROCEDURE FOR ONETOUCH LATCH.....	12

# GENERAL PRECAUTIONS

## WARNING STATEMENTS

**! WARNING ! NO MODIFICATION OF THIS EQUIPMENT IS ALLOWED. IF ANY PART OF THIS DEVICE EXPERIENCES A CATASTROPHIC LOAD, APPEARS DAMAGED OR FUNCTIONS IMPROPERLY, DISCONTINUE USE IMMEDIATELY AND CONTACT QFIX AT +1 484-720-6054 OR TECHSUPPORT@QFIX.COM.**

**! WARNING ! THE ONETOUCH IS A PRECISION MECHANISM AND IS ONLY FOR USE WITH APPROVED QFIX KVUE DEVICES. UNAPPROVED NON-QFIX DEVICES THAT HAVE NOT BEEN VALIDATED BY QFIX MAY NOT BE SAFE FOR USE AND WILL VOID WARRANTY IF USED.**

**! WARNING ! ONETOUCH LATCH MIGHT NOT FUNCTION PROPERLY, IF NOT CLEANED AND LUBRICATED REGULARLY.**

## SERIOUS INCIDENTS

Please report any serious incidents (e.g. incidents which result in or have the potential to result in death or serious injury) to both Qfix and your country's Competent Authority.

## COLLISION HAZARDS

Use caution when moving the Couch Top or gantry to avoid equipment damage or patient injury. The wide variety of motions obtainable with couch bases and treatment heads may present situations where the kVue Insert collides with other items. Equipment damage may occur.

# GENERAL PRECAUTIONS

## WARNING LABELS & DESCRIPTIONS

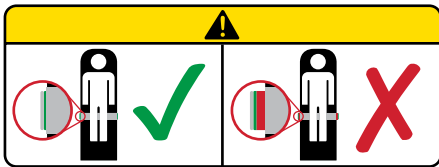
Refer to [Qfix.com](http://Qfix.com) for a listing of symbols and their definitions.



### PINCH POINTS

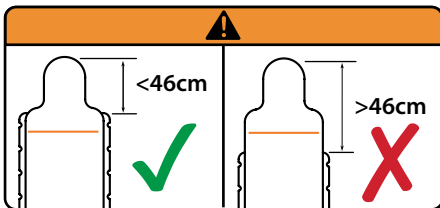
Use caution when moving the kVue Insert Docking Plate to avoid patient injury. Extreme care has been taken to minimize pinch points and other hazards associated with the kVue Insert Docking Plate. Common pinch points include:

- Between the kVue Insert and the One-Touch Latch
- Between the kVue Insert Docking Plate and other pieces of equipment in the treatment room, including the Linac treatment head



### ONETOUCH™ LATCH

Place a patient on the kVue Insert Docking Plate **ONLY** when the red collar of the latch button is not visible. The OneTouch Latch has a built-in indicator to verify proper engagement. If the red collar of the latch button is visible, the locking mechanism is not engaged.



### DO NOT CANTILEVER

Do not cantilever insert more than 46 cm.

# INTENDED USE

This device is intended to immobilize, position and reposition patients undergoing radiation therapy.

**! NOTE ! United States Federal law restricts this device to sale by or on the order of a physician.**

## **PATIENT TARGET GROUPS**

Patients undergoing radiation therapy or diagnostic imaging procedures.

## **INTENDED USERS**

The intended user for the products is a person qualified in accordance with the requirements of the regulatory region.

# OPERATING INSTRUCTIONS

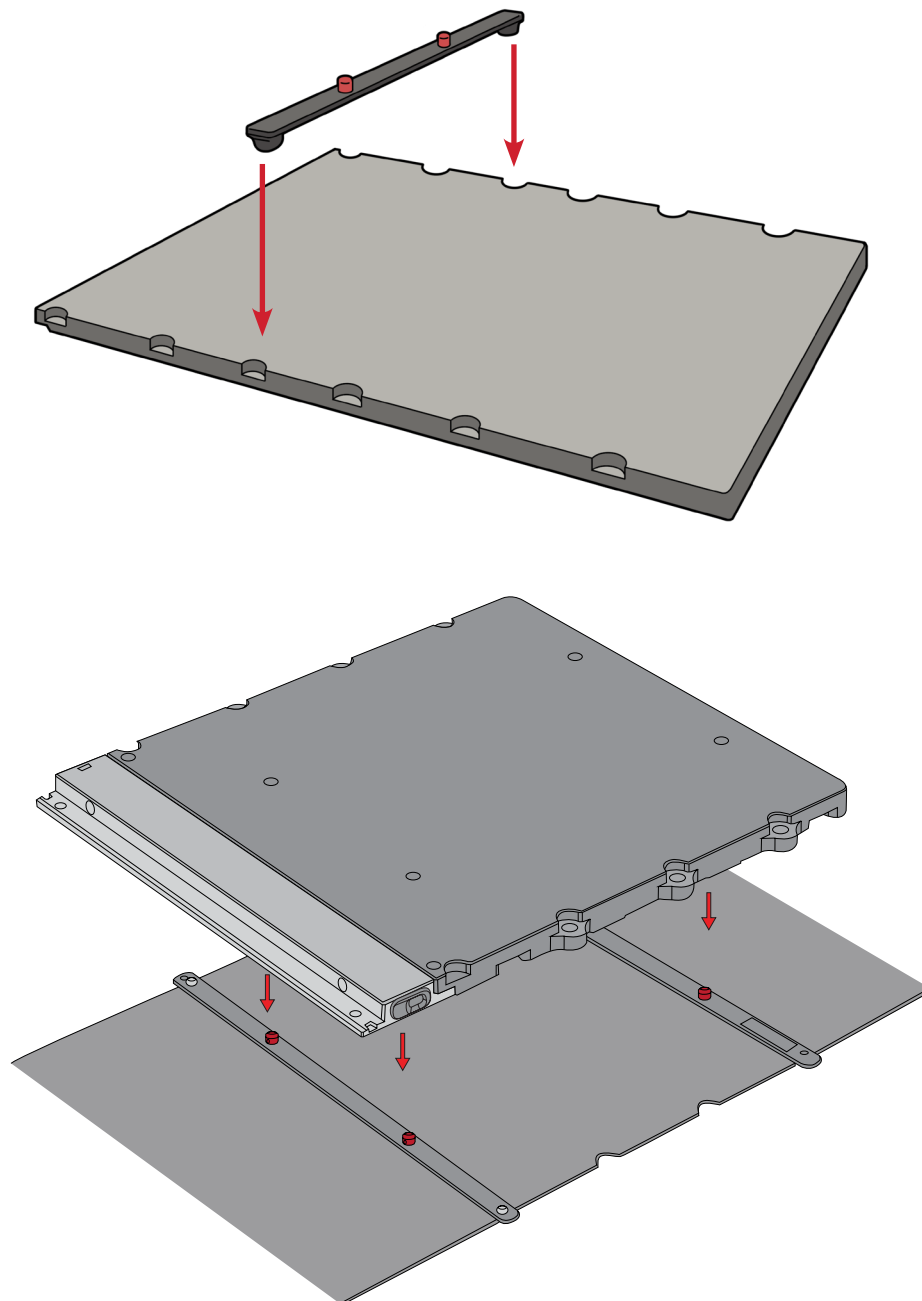
## SET-UP WITH LOCATION BARS

### LOCATING BAR INSTALLATION

The Locating Bar has two locating pins that match most standard positioning accessories. To attach, place either end of the Locating Bar in the appropriate Varian Exact® compatible index notches and snap in place.

Install two locating bars four notches apart.

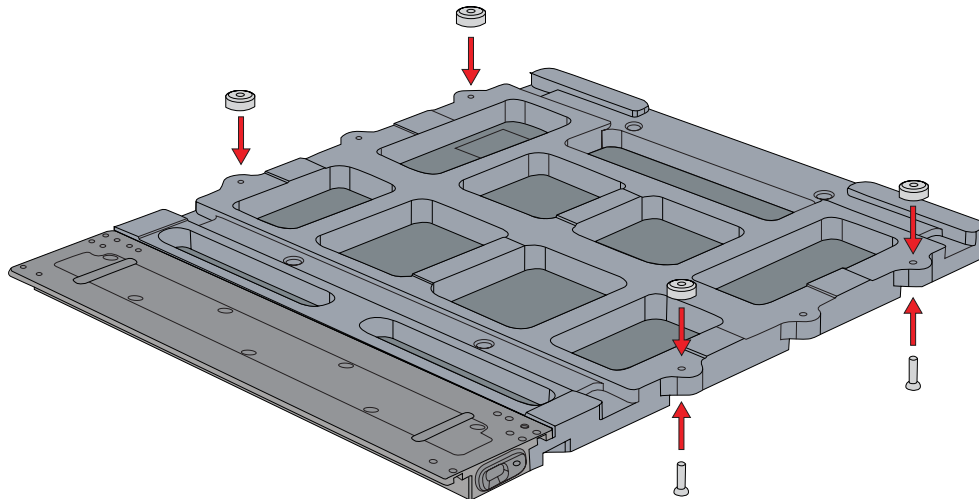
**! WARNING ! DO NOT CANTILEVER INSERT MORE THAN 46 CM.**



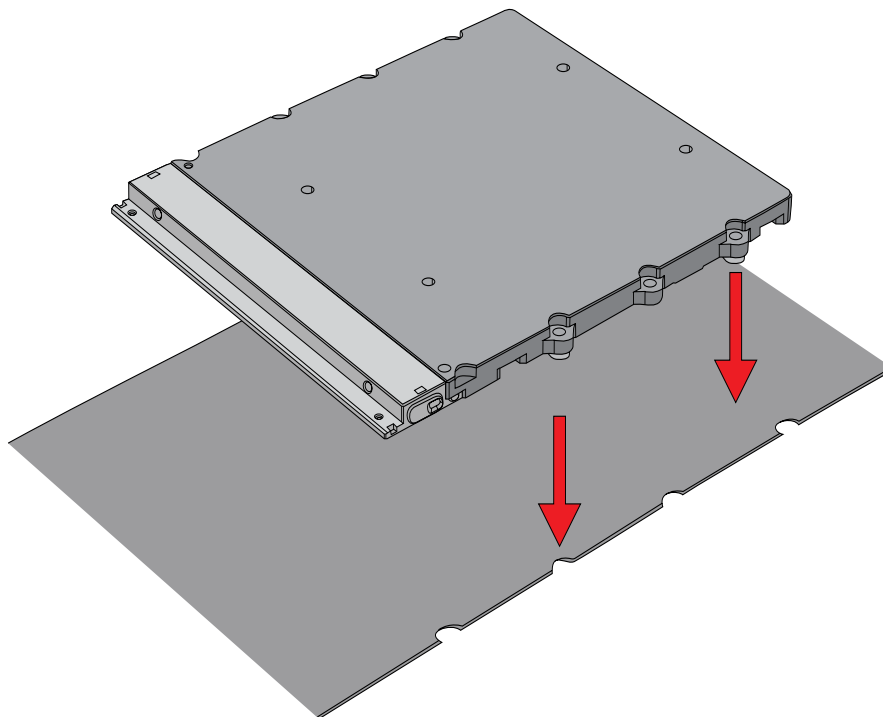
# OPERATING INSTRUCTIONS

## INSTALLATION

1. Install without location bars.
2. Install four feet.



**! WARNING ! DO NOT CANTILEVER INSERT MORE THAN 46 CM.**





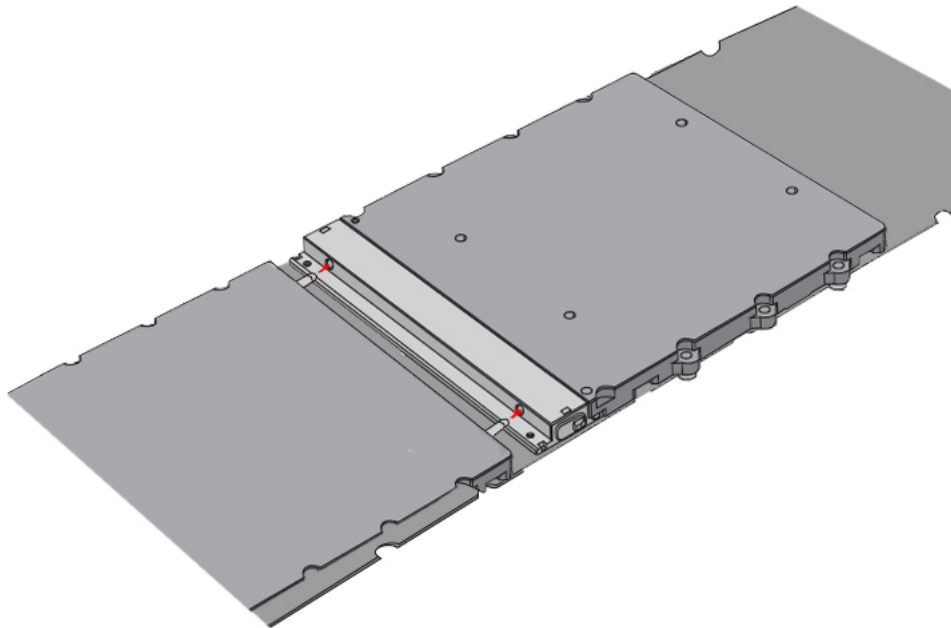
# OPERATING INSTRUCTIONS

## INSTALLATION

### KVUE INSERT INSTALLATION

1. Place the kVue Insert on top of the insert couch and align the two mating pins with the receiving holes in the OneTouch Latch.
2. From the head end of the kVue, slide the kVue Insert directly into the receiving holes.

You will hear a click when the kVue Insert is locked into place. ONLY the green button surface will be visible when properly installed.



# OPERATING INSTRUCTIONS

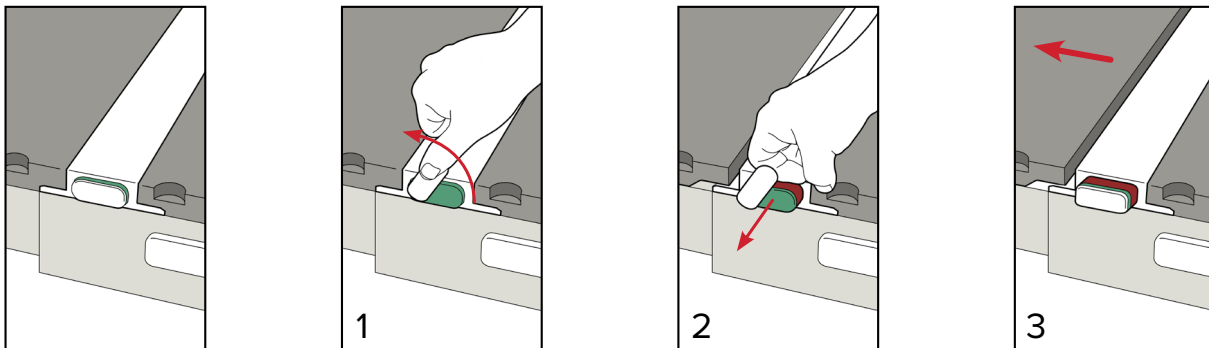
## REMOVAL

### KVUE INSERT REMOVAL

**! WARNING ! NEVER LIFT THE END OF THE KVUE INSERT ! ALTHOUGH THE MECHANISM IS VERY ROBUST, THE MATING PINS MAY BEND OR BREAK, RENDERING THE KVUE UNUSABLE.**

1. Rotate Lever counter-clockwise.
2. Pull the rotated Lever from one side of the kVue until the kVue Insert is released.
3. Slide the kVue Insert away from the kVue.

**! NOTE !** The images shown below are of a standard kVue Couch Top. kVue Insert removal is the same for all versions of the kVue.



### KVUE INSERT DOCKING PLATE REMOVAL

1. Lift the Kvue Insert Docking Plate off the couch.
2. Remove locating bars.

# MAINTENANCE

## CLEANING THE SYSTEM

The device can be cleaned with a mild, non-abrasive cleaning or disinfecting solution. Do not spray or pour liquids onto the kVue Insert Docking Plate surface as they may flow into the OneTouch Latch or mechanisms within the couch base. To clean, apply solution to clean cloth and wipe the surface.

The following cleaning materials have been tested and found to be appropriate for cleaning the kVue Insert Docking Plate surface. To disinfect the kVue Insert Docking Plate surface, refer to specific instructions from the cleaning agent manufacturer.

- Water
- A 10% Clorox® Bleach Solution
- Isopropyl Alcohol
- Cidex® 2.4% Activated Dialdehyde Solution
- Soap and Water

DO NOT spray directly onto the kVue Insert Docking Plate.

DO NOT place sharp objects on the kVue Insert Docking Plate.

If body fluids enter the Baseframe, remove the screws that connect the Back Panel and clean appropriately. Do not use any water-based cleaners on the linear bearing rail. After cleaning, lubricate the linear bearing rail with fluoropolymer (PTFE) dry film lubricant.

The OneTouch Latch requires periodic lubrication; refer to specific instructions on how to properly lubricate and clean the OneTouch Latch.

Disassembly of the OneTouch Latch will void the kVue Insert Docking Plate warranty.

Periodically check all fasteners for tightness.

# MAINTENANCE

## CLEANING AND LUBRICATING PROCEDURE FOR ONETOUCH LATCH

We recommend performing this procedure monthly.

Materials List: fluoropolymer (PTFE) dry film lubricant, cotton swabs, and dry wipes or paper towels

**! NOTE !** The images shown below are of a standard kVue Couch Top. Maintenance is the same for every kVue Couch Top.

1. Remove kVue Insert. (Fig.1)
2. Wipe any lint or debris from the outside of latch. (Fig. 2)
3. Use dry cotton swab to clean out the inside of the receiving holes. (Fig. 3)
4. Spray lubricant into the receiving holes. (Fig. 4)
5. Use dry cotton swab to wipe out loose lint and debris. (Fig. 3)
6. Spray lubricant into the receiving holes again. (Fig. 4)
7. Spray lubricant into the gap between the top of the button and the latch housing to lubricate interior components. (Fig. 5)
8. Reinsert the kVue Insert and eject by pulling latch from opposite side. Repeat lubrication step 7.
9. Cycle kVue Insert installation and removal 3 to 4 times and repeat lubrication process if Insert does not eject freely.
10. Wipe off any excess lubricant from the exterior of the OneTouch Latch.

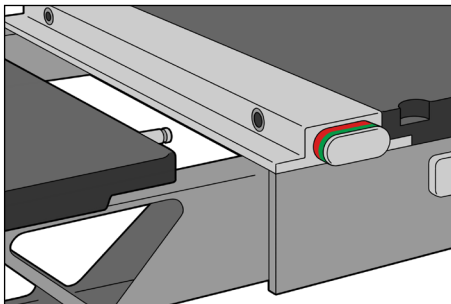


Fig. 1

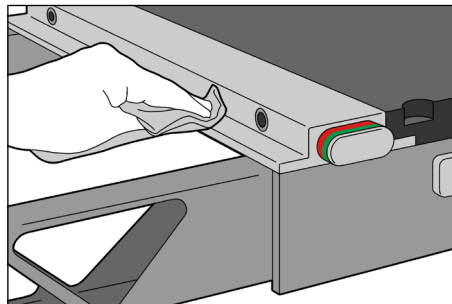


Fig. 2

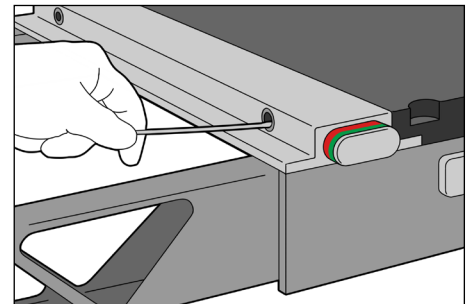


Fig. 3

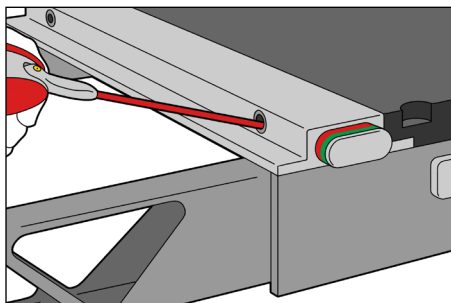


Fig. 4

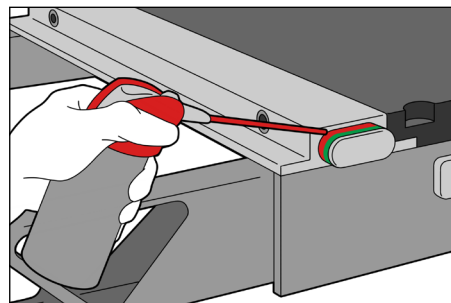


Fig. 5











440 Church Road  
Avondale, PA 19311 USA  
[www.Qfix.com](http://www.Qfix.com)

 +1 610.268.0585 / 800.526.5247

 +1 610.268.0588 / 800.831.8174

 [sales@Qfix.com](mailto:sales@Qfix.com)