



positioning
patients for life.®

SERVICE INSTRUCTIONS

SVC-5100-106

AirDrive Trolley™ Control End Hose Mount

PURPOSE

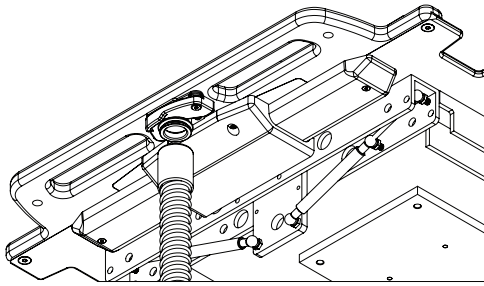
Replace control end hose mount components in the AirDrive Trolley.

WARNING STATEMENTS

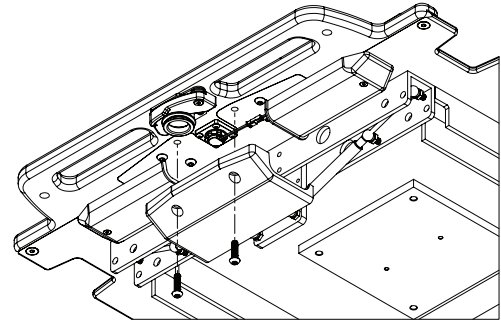
- ! WARNING ! RECOMMENDED MAINTENANCE AND SERVICE, AS WELL AS USE OF ONLY QFIX-PROVIDED ACCESSORIES, COMPONENTS, AND REPLACEMENT PARTS, ARE NECESSARY TO ENSURE THE SAFETY, PERFORMANCE, AND MRI COMPATIBILITY OF THE PRODUCT(S), AS WELL AS TO MAINTAIN APPLICABLE WARRANTIES.**
- ! WARNING ! ALL MAINTENANCE AND SERVICE PERFORMED ON THE AIRDRIVE™ SYSTEM, AIRSHUTTLE™ DEVICES, AND ALL ACCESSORIES SHOULD BE CONDUCTED OUTSIDE MRI ENVIRONMENTS.**

DIRECTIONS

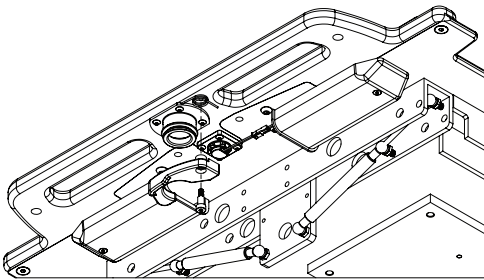
Control End



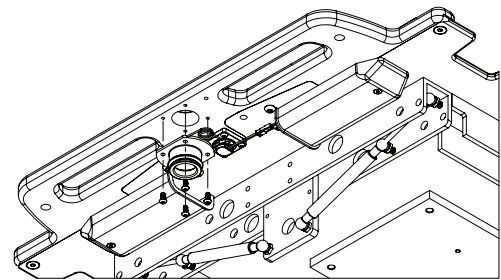
Step 1



Step 2



Step 3



Step 4

! NOTE ! Skip Step 3 if the AirDrive Trolley does not have the hose management solution installed.

Perform steps in reverse for reinstallation.

ESTIMATED TIME TO COMPLETE

20–30 minutes hands on to replace control end hose mount.

KIT CONTENTS

Part Number	Quantity	Part Name
2008431	1	Control End Hose Mount, Hose MGMT
3001912	4	BHCS M5 x 0.8 x 12 mm lg SS
3002247	1	Shoulder Bolt 8 mm OD x 14 mm Long M6 x 1.0 Thds SS

REQUIRED TOOLS

- 3 mm Hex Key
- 4 mm Hex Key (required for hose management solution only)



440 Church Road
Avondale, PA 19311 USA
www.Qfix.com

+1 484.720.6053 / 800.526.5247

+1 610.268.0588 / 800.831.8174

sales@Qfix.com

AirDrive, AirDrive Trolley, and AirShuttle are trademarks of Qfix.

2008146_EN_B
2022-01