



positioning
patients for life.®

PRODUCT GUIDE & USER MANUAL


RT-4551KV-SRT-4

kVue™ Schaer Couch Top

with Moving Rails Technology





EC REP	Advena Limited Tower Business Centre, 2nd Flr Tower Street, Swatar, BKR 4013 Malta		Made in the USA by Qfix 440 Church Rd, Avondale, Pennsylvania, USA +1 610-268-0585 www.Qfix.com
--------	---	---	--

Exact®, ETR®, Calypso® and Beacon® are registered trademarks of Varian Medical Systems.

TrueBeam is a trademark of Varian Medical Systems.

Precise® is a registered trademark of Elekta AB.

ZXT and TXT are trademarks of Siemens AG.

Cidex® is a registered trademark of Johnson & Johnson.

Clorox® is a registered trademark of the Clorox Company.

kVue and OneTouch are trademarks of Qfix.

TABLE OF CONTENTS

GENERAL PRECAUTIONS.....	4
WARNING STATEMENTS	4
SERIOUS INCIDENTS.....	4
TREATMENT BEAM ATTENUATION.....	4
COLLISION HAZARDS.....	4
WARNING LABELS & DESCRIPTIONS	5
INTENDED USE.....	7
FEATURES	8
DESCRIPTION	8
TREATMENT INFORMATION.....	8
COMPONENTS.....	9
OPERATING INSTRUCTIONS.....	12
INSTALLATION.....	12
SET-UP	13
REMOVAL.....	14
MAINTENANCE.....	15
CLEANING THE SYSTEM	15
DISINFECTING THE SYSTEM.....	15
CLEANING AND LUBRICATING PROCEDURE FOR ONETOUCH™ LATCH.....	16
SPECIFICATIONS.....	17
KVUE COUCH TOP WITH STANDARD INSERT	17
PERFORMANCE	18
PARTS LIST	19

GENERAL PRECAUTIONS

WARNING STATEMENTS

! WARNING ! NO MODIFICATION OF THIS EQUIPMENT IS ALLOWED. IF ANY PART OF THIS DEVICE EXPERIENCES A CATASTROPHIC LOAD, APPEARS DAMAGED OR FUNCTIONS IMPROPERLY, DISCONTINUE USE IMMEDIATELY AND CONTACT QFIX AT +1 484-720-6054 OR TECHSUPPORT@QFIX.COM.

! WARNING ! THE ONETOUCH IS A PRECISION MECHANISM AND IS ONLY FOR USE WITH APPROVED QFIX KVUE DEVICES. UNAPPROVED NON-QFIX DEVICES THAT HAVE NOT BEEN VALIDATED BY QFIX MAY NOT BE SAFE FOR USE AND WILL VOID WARRANTY IF USED.

SERIOUS INCIDENTS

Please report any serious incidents (e.g. incidents which result in or have the potential to result in death or serious injury) to both Qfix and your country's Competent Authority.

TREATMENT BEAM ATTENUATION

The Standard Insert has a water equivalence of approximately 6 mm at 6 MV AP/PA photon beam. Kilovoltage x-ray attenuation is equivalent to about 0.5 mm aluminum at 100 kVp. Treatment through the composite support beams will increase the attenuation. Actual attenuation based on setup should be verified with your particular equipment. Treatment through any device, even one constructed of composite materials, will lead to an increase in skin dose.

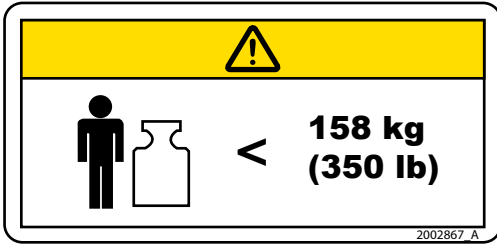
COLLISION HAZARDS

Use caution when moving the kVue Couch Top or gantry to avoid equipment damage or patient injury. The wide variety of motions obtainable with couch bases and treatment heads may present situations where the kVue Insert collides with other items. Equipment damage may occur.

GENERAL PRECAUTIONS

WARNING LABELS & DESCRIPTIONS

Refer to Qfix.com for a listing of symbols and their definitions.



LOAD RATING

DO NOT exceed 158 kg (350 lb) uniformly distributed load or maximum safe working load of couch base, whichever is less.

The load rating for each kVue Insert is specified in the instructions for the kVue Insert.

↓ NO STEP ↓

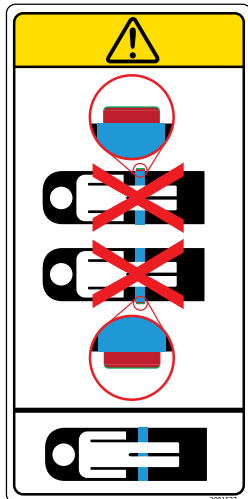
OR



“NO STEP” LINE

The yellow line on the kVue Insert represents the end of the support beams. The area beyond the line has been designed and tested to support the patient’s upper torso or lower body not exceeding the load rating.

Standing or sitting on the kVue Insert beyond the “No Step” line may damage the kVue Insert or cause injury.



ONETOUCH™ LATCH

Place a patient on the kVue Couch Top ONLY when the red collar of the latch button is not visible. The OneTouch Latch has a built-in indicator to verify proper engagement. If the red collar of the latch button is visible, the locking mechanism is not engaged.

GENERAL PRECAUTIONS

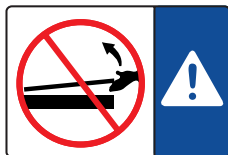
WARNING LABELS & DESCRIPTIONS



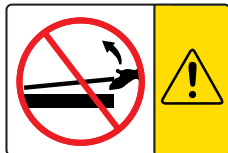
PINCH POINTS

Use caution when moving the kVue Couch Top to avoid patient injury. Extreme care has been taken to minimize pinch points and other hazards associated with the kVue Couch Top. Common pinch points include:

- Between the kVue Insert and the OneTouch Latch
- Between the kVue Insert and the support beams
- Between the kVue Couch Top and other pieces of equipment in the treatment room, including the Linac treatment head



OR



KVUE INSERT INSTALLATION AND REMOVAL

! WARNING ! NEVER LIFT THE END OF THE KVUE INSERT!

The mating pins may bend or break, rendering the kVue Couch Top unusable.

Refer to the kVue Couch Top Installation Manual for installation and removal instructions.

INTENDED USE

This device is intended to immobilize, position and reposition patients undergoing radiation therapy.

! NOTE ! United States Federal law restricts this device to sale by or on the order of a physician.

PATIENT TARGET GROUPS

Patient's undergoing radiation therapy or diagnostic imaging procedures.

INTENDED USERS

The intended user for the products is a person qualified in accordance with the requirements of the regulatory region.

FEATURES

DESCRIPTION

The kVue is a state-of-the-art radiotherapy couch top optimized for the most recent advances in technology. It is engineered to ensure precise and repeatable sub-millimeter patient positioning. The kVue increases the versatility of your treatment room by allowing for the use of most standard indexed positioning devices.

The kVue is designed for superior performance when used with kilovoltage imaging, such as cone beam CT, while simultaneously reducing skin dose for treatments that pass through the kVue. This, combined with the ability to replace the Standard Insert with modular immobilization devices that mount directly onto the top surface, makes the kVue one of the most advanced solutions for IMRT and patient positioning.

TREATMENT INFORMATION

KVUE INSERT

kVue Inserts are constructed from low-density composite materials and will attenuate the photon beam by approximately 1% for AP/PA treatments at 6 MV. Actual attenuation based on setup should be verified with your particular equipment. Treatment through any device, even one constructed on composite materials, will lead to an increase in skin dose.

SUPPORT BEAMS

The open truss design of the Moving Rails support beams maximizes strength while minimizing attenuation. Treatment through support beams will lead to a higher skin dose, which should be considered during treatment planning. Specific attenuation tests should be conducted by your physics department. The support beams can be moved laterally with or without the patient on the kVue. Whenever possible, the support beams should be moved so that they are not in the treatment beam path.

KVUE

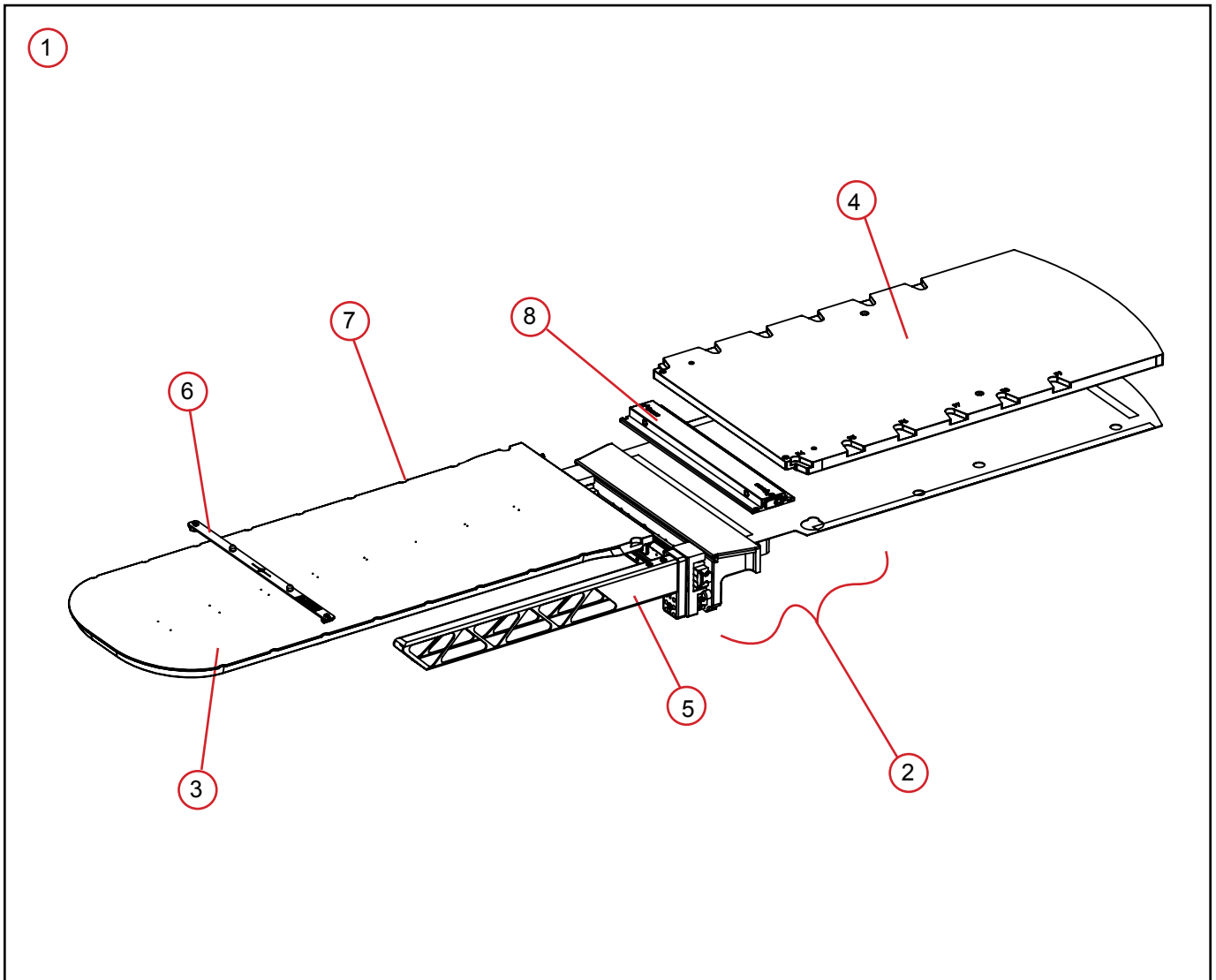
The entire cantilevered section of the kVue is radiolucent and meets IEC and FDA requirements for attenuation. The design provides excellent quality images for kilovoltage imaging using standard x-ray and cone beam CT as well as portal imaging using MV energies. The Moving Rails support beams are specifically designed to minimize artifacts when using cone beam CT.

REQUIRED ACCESSORIES

kVue Insert

FEATURES

COMPONENTS



FEATURES

COMPONENTS

1. KVUE™ COUCH TOP

The kVue Couch Top is the complete patient support system, excluding the original equipment couch base. It consists of the Baseframe (including support beams), the Interface Plate (if required), and the appropriate kVue Insert.

2. BASEFRAME

The Baseframe is the section of the kVue Couch Top that contains the Moving Rails support beams and Back Panel. The Baseframe also has the receiving holes of the OneTouch Latch and the accessory rail.

3. KVUE INSERT

The kVue Insert is the treatment area of the patient support surface. It is constructed from low-density composite materials and will attenuate a 6 MV photon beam approximately 1% for AP/PA treatments. Treatment through any device will lead to higher skin dose, which should be considered during treatment planning. The Standard Insert has Varian Exact® compatible index notches to allow reproducible positioning of accessories.

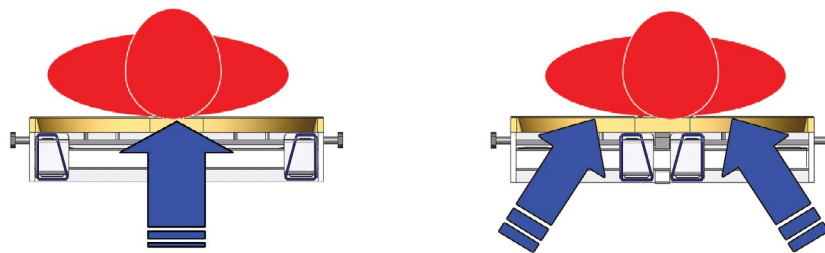
4. BACK PANEL

The Back Panel is the patient support surface that sits on top of the couch base.

5. MOVING RAILS SUPPORT BEAMS

The Moving Rails support beams are extremely rigid composite structures that support full patient loading on the kVue Insert with minimal deflection. The open truss design maximizes strength while minimizing attenuation. The support beams can be moved laterally with or without the patient on the kVue Couch top.

Treatment through the support beams will lead to increased skin dose, which should be considered during treatment planning. Whenever possible, the support beams should be positioned so that they are not in the treatment beam path.



FEATURES

COMPONENTS

6. LOCATING BAR

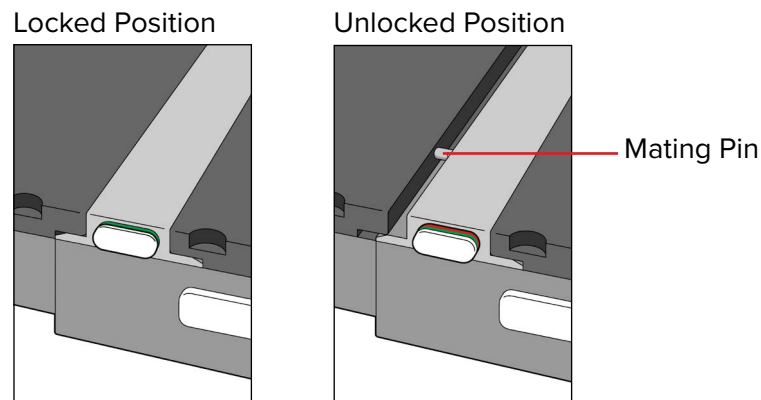
The Locating Bar has two locating pins 13 mm (0.5-inch) diameter spaced 229 mm (9 inches) apart) designed to match industry-standard accessories that allow standard positioning devices to be accurately and repeatedly located on the kVue Couch Top.

7. EXACT® INDEX NOTCHES

The Standard Insert comes with Varian Exact® compatible index notches spaced every 140 mm along the length of the kVue that can be used to accurately position the Locating Bar and other accessories. The numbering scheme of the notches coincides with Varian Exact® indexing to allow direct transfer of simulation positioning data to the kVue. (The 0 marks the coordinate axis origin. H1, H2, etc., progress toward the head end of the kVue and F1, F2, etc., progress toward the foot end.)

8. ONETOUCH LATCH

The OneTouch Latch allows instant attachment and removal of kVue Inserts without the use of tools. The latch allows repeatable positioning of the kVue Insert with sub-millimeter accuracy while simultaneously creating a visual cue to verify that the lock is properly engaged. In the unlocked position, a red collar is visible around the green latch button.



OPERATING INSTRUCTIONS

INSTALLATION

KVUE COUCH TOP INSTALLATION

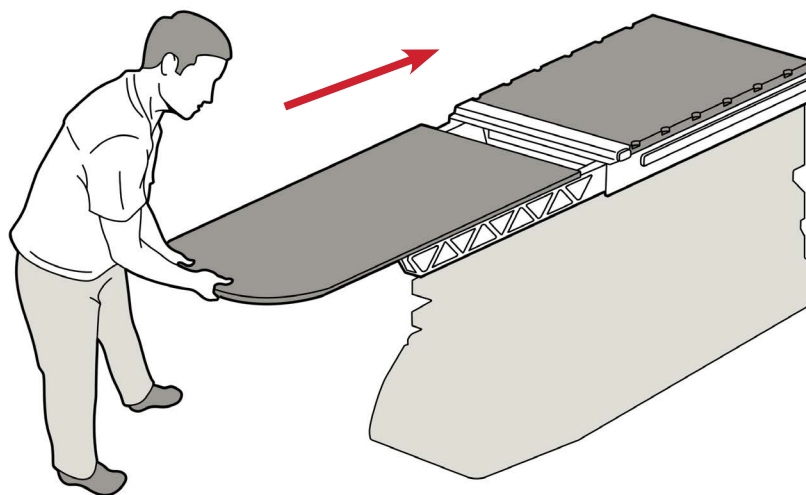
The kVue Couch Top is designed to fit all major radiotherapy treatment systems. Quick installation minimizes linear accelerator downtime during installation. Refer to the kVue Couch Top Installation Manual for specific installation information.

! NOTE ! As detailed in the kVue Couch Top Installation Manual, the final height of the kVue surface may be different from the original system. Refer to the original system instructions to reset the system zero (origin) prior to initial use.

KVUE INSERT INSTALLATION

1. Place the Standard Insert on top of the support beams and align the two mating pins with the receiving holes in the OneTouch™ Latch.
2. From the head end of the kVue, slide the kVue Insert directly into the receiving holes.

You will hear a click when the kVue Insert is locked into place. ONLY the green button surface will be visible when properly installed.



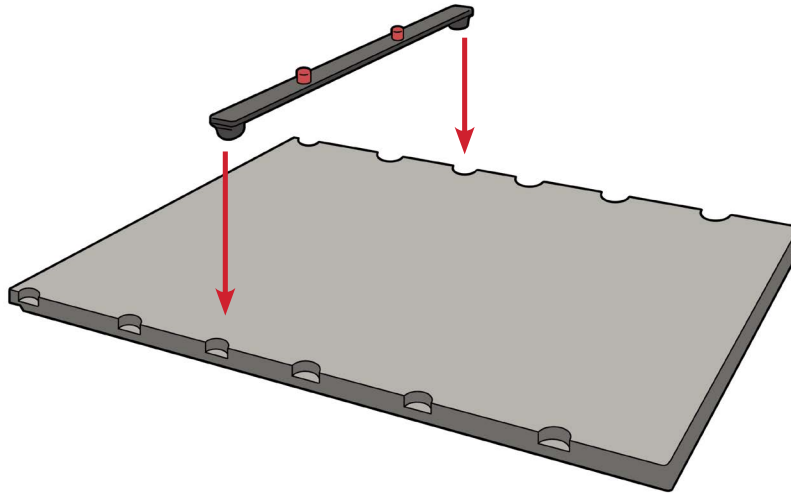
kVue with Standard Insert

OPERATING INSTRUCTIONS

SET-UP

LOCATING BAR INSTALLATION

The Locating Bar has two locating pins that match most standard positioning accessories. To attach, place either end of the Locating Bar in the appropriate Varian Exact® compatible index notches and snap in place.



OPERATING INSTRUCTIONS

REMOVAL

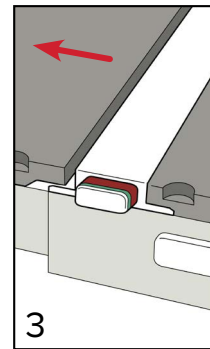
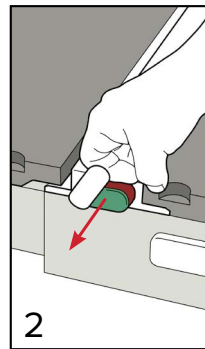
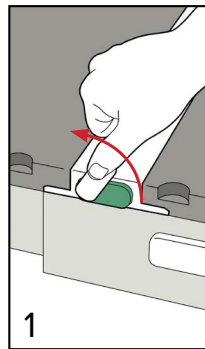
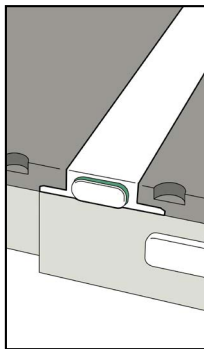
LOCATING BAR REMOVAL

Pull up on either end of the Locating Bar.

KVUE INSERT REMOVAL

! WARNING ! NEVER LIFT THE END OF THE KVUE INSERT ! ALTHOUGH THE MECHANISM IS VERY ROBUST, THE MATING PINS MAY BEND OR BREAK, RENDERING THE KVUE UNUSABLE.

1. Rotate Lever counter-clockwise.
2. Pull the rotated Lever from one side of the kVue until the kVue Insert is released.
3. Slide the kVue Insert away from the kVue.



MAINTENANCE

CLEANING THE SYSTEM

The device can be cleaned with a mild, non-abrasive cleaning or disinfecting solution. Do not spray or pour liquids onto the kVue Couch Top surface as they may flow into the OneTouch Latch or mechanisms within the couch base. To clean, apply solution to clean cloth and wipe the surface.

DISINFECTING THE SYSTEM

The following cleaning materials have been tested and found to be appropriate for cleaning the kVue Couch Top and kVue Insert surfaces. To disinfect the kVue Couch Top surface, refer to specific instructions from the cleaning agent manufacturer.

- Water
- A 10% Clorox® Bleach Solution
- Isopropyl Alcohol
- Cidex® 2.4% Activated Dialdehyde Solution
- Soap and Water

DO NOT spray directly onto the kVue Couch Top or kVue Insert or allow to flow into the Baseframe.

DO NOT place sharp objects on the kVue Couch Top or kVue Insert.

If body fluids enter the Baseframe, remove the screws that connect the Back Panel and clean appropriately. Do not use any water-based cleaners on the linear bearing rail. After cleaning, lubricate the linear bearing rail with fluoropolymer (PTFE) dry film lubricant.

The OneTouch Latch requires periodic lubrication; refer to specific instructions on how to properly lubricate and clean the OneTouch Latch.

Disassembly of the OneTouch Latch will void the kVue Couch Top warranty.

Periodically check all fasteners for tightness.

MAINTENANCE

CLEANING AND LUBRICATING PROCEDURE FOR ONETOUCH™ LATCH

We recommend performing this procedure monthly.

Materials List: fluoropolymer (PTFE) dry film lubricant, cotton swabs, and dry wipes or paper towels

1. Remove kVue Insert. (Fig.1).
2. Wipe any lint or debris from the outside of latch. (Fig. 2).
3. Use dry cotton swab to clean out the inside of the receiving holes. (Fig. 3).
4. Spray lubricant into the receiving holes. (Fig. 4).
5. Use dry cotton swab to wipe out loose lint and debris. (Fig. 3).
6. Spray lubricant into the receiving holes again. (Fig. 4).
7. Spray lubricant into the gap between the top of the button and the latch housing to lubricate interior components. (Fig. 5).
8. Reinsert the kVue Insert and eject by pulling latch from opposite side. Repeat lubrication step 7.
9. Cycle kVue Insert installation and removal 3 to 4 times and repeat lubrication process if Insert does not eject freely.
10. Wipe off any excess lubricant from the exterior of the OneTouch Latch.

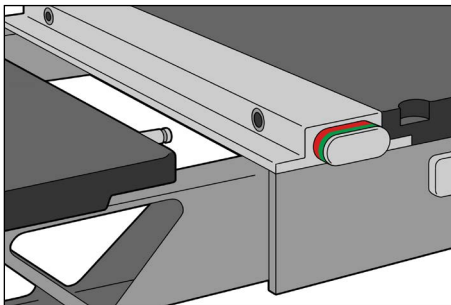


Fig. 1

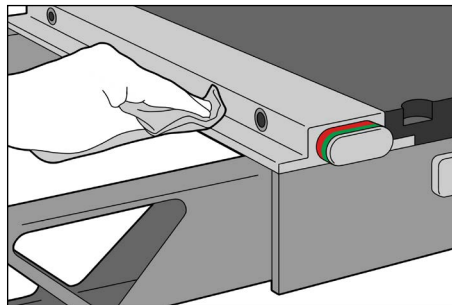


Fig. 2

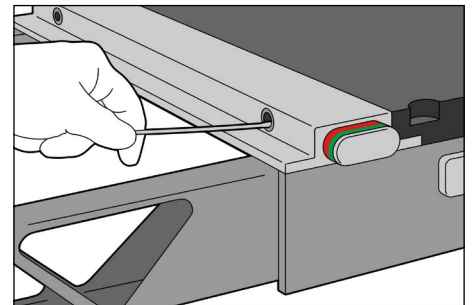


Fig. 3

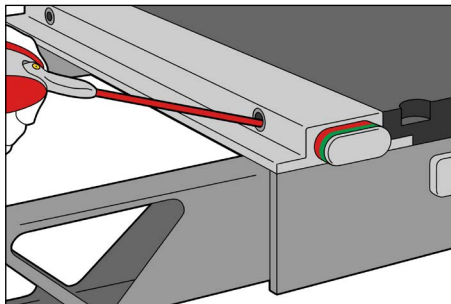


Fig. 4

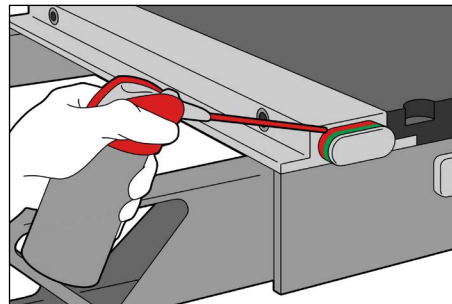
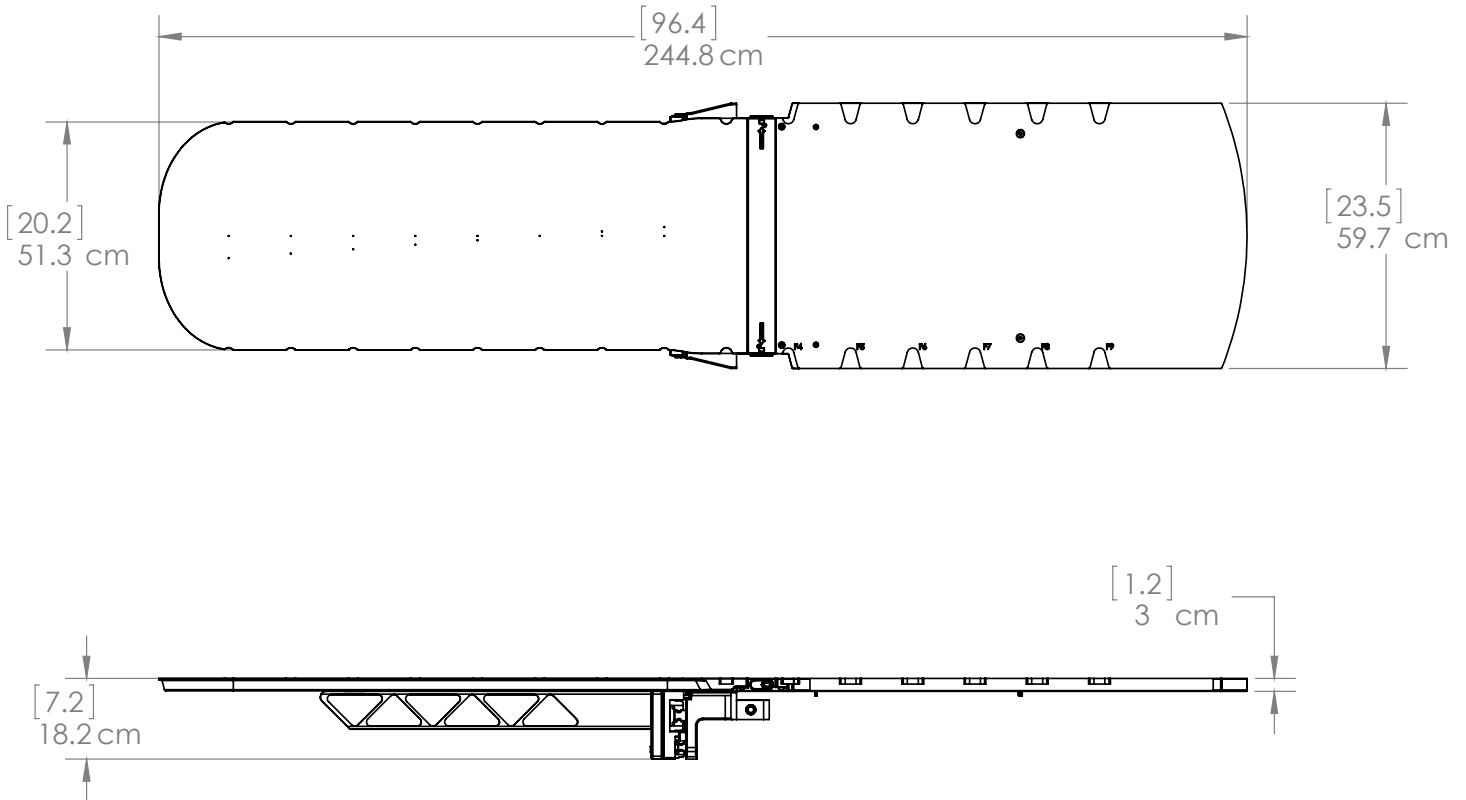


Fig. 5

SPECIFICATIONS

KVUE COUCH TOP WITH STANDARD INSERT



! NOTE ! For specifications pertaining to individual kVue Inserts, refer to the particular kVue Insert IFU.

SPECIFICATIONS

PERFORMANCE

DEFLECTION

The kVue Couch Top meets the deflection specification of IEC 60976 [2007] Section 16.5.2.2. The height of the kVue Couch Top retracted and with a load of 30 kg distributed over 1 m is within 5 mm of the height of the kVue Couch Top extended with 135 kg distributed over 2 m of the kVue length. When the kVue with the Standard Insert is mounted to a rigid base, the actual difference in deflection is about 0.25 mm (5% of the allowable deflection difference).

LOAD RATING AND CAPACITY

The kVue Couch Top meets the load rating requirements of IEC 60601-2-8 Clause 28 with a safe working load specified in individual kVue Insert instructions. The maximum possible load rating for the kVue Couch Top is 158 kg (350 lb). When combined with the Linac couch base, the load rating is the lower of the two safe working loads.

In no case should the capacity of the kVue Couch Top exceed the manufacturer's original couch base specifications.

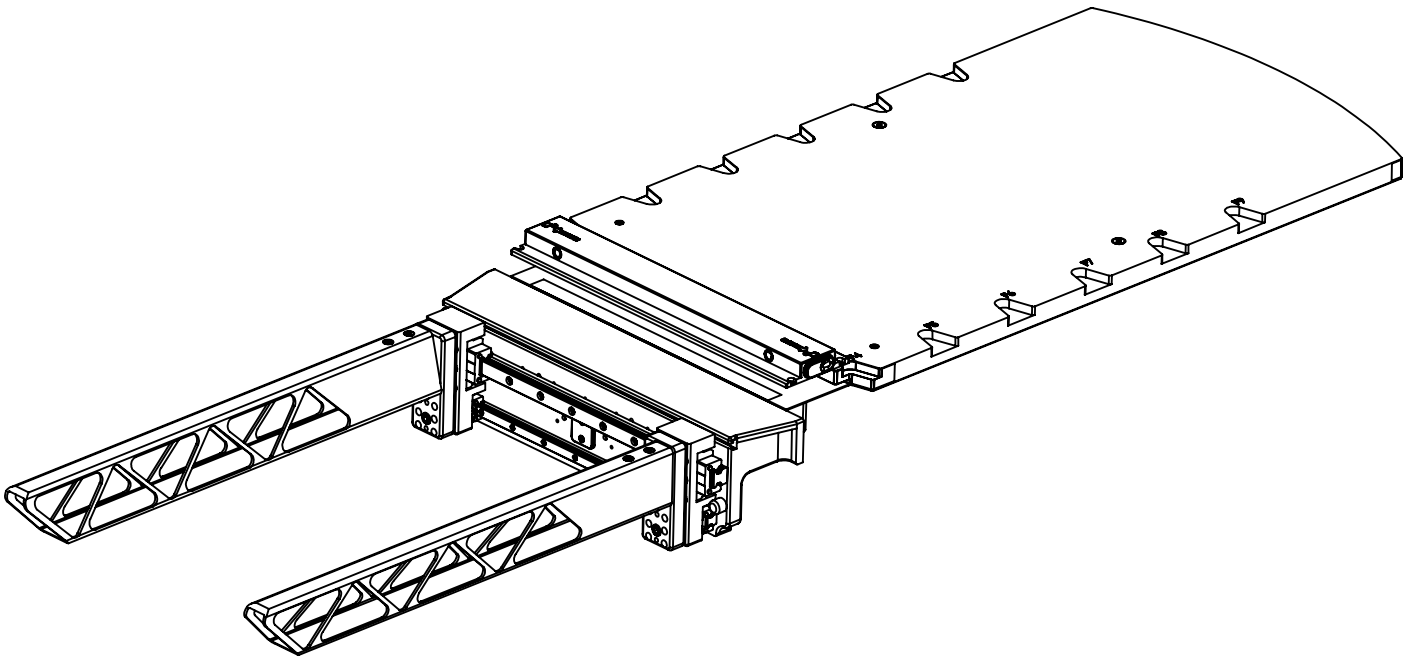
Some kVue Inserts have a load rating lower than 249 kg. Refer to the kVue Insert IFU or kVue Insert product label for specific load ratings.

ALUMINUM EQUIVALENCE

The performance of the kVue with all kVue Inserts meets or exceeds x-ray attenuation specifications of CDRH 21 CFR 1020.30 and IEC 60601-1-3.


PARTS LIST


RT-4551KV-OTM — kVue OneTouch™ Latch Assembly





440 Church Road
Avondale, PA 19311 USA
www.Qfix.com

 +1 610.268.0585 / 800.526.5247

 +1 610.268.0588 / 800.831.8174

 sales@Qfix.com