

# Dual Width Stabilization Clips

---

INSTRUCTIONS FOR USE (IFU)





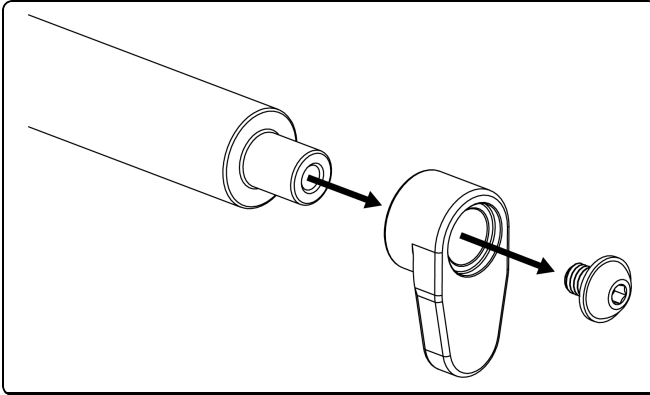
**⚠ WARNING**

- Do not replace Dual Width Stabilization Clips in MR environment.

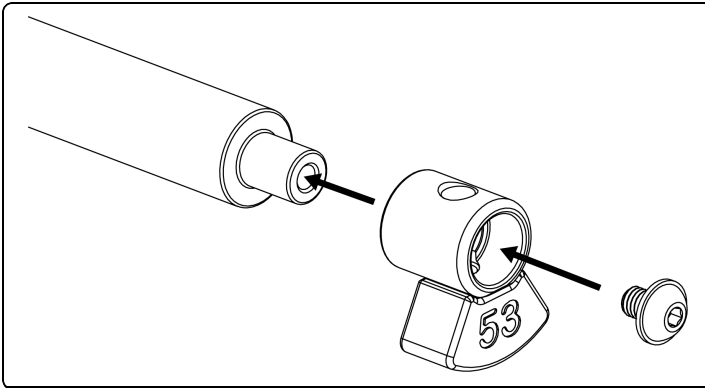
**REPLACING STABILIZATION CLIPS**

NOTE: Tools required (provided): 7/32" Allen wrench

1. Use Allen wrench to remove screw from existing Lateral Stabilization Clips on both sides. Remove clips.

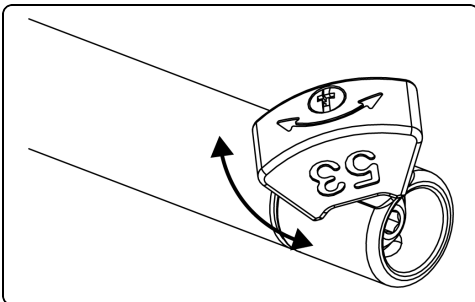


2. Place Dual Width Stabilization clips and use Allen wrench to secure.



NOTE: Do not overtighten.

3. Twist clip manually to appropriate table width.





 **MEDTEC LLC**

1401 8th Street SE  
Orange City, IA 51041  
United States

800.842.8688, +1 712.737.8688  
[info@cqmedical.com](mailto:info@cqmedical.com)

---

COPYRIGHT © 2024 ALL RIGHTS RESERVED. CQ MEDICAL IS A TRADEMARK OF MEDTEC LLC. ALL OTHER TRADEMARKS ARE PROPERTY OF THEIR RESPECTIVE OWNERS. PRINTED IN USA.

[www.CQmedical.com](http://www.CQmedical.com)