

# Overlay Storage Box

---

INSTRUCTIONS FOR USE (IFU)





## ASSEMBLING/MOUNTING STORAGE BOX

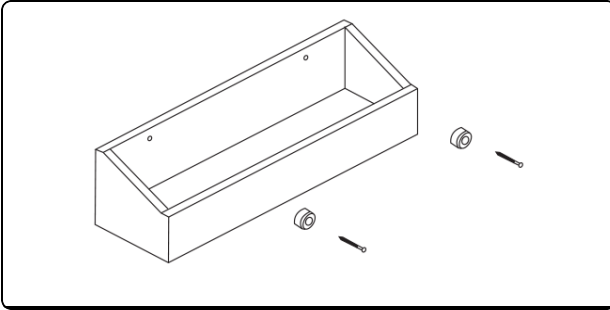
### WARNING

- Do not use if device appears damaged.

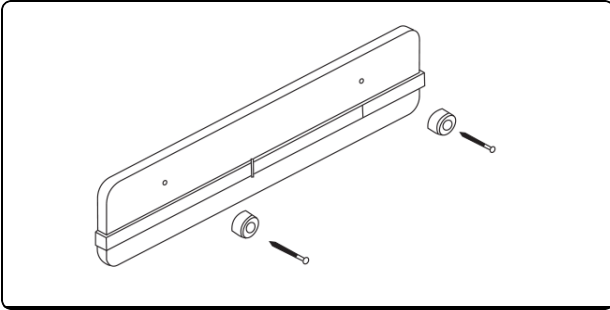
NOTE:

- If any serious incident occurs in relation to device, incident should be reported to manufacturer. If incident occurred within the European Union, also report to the competent authority of the Member State in which you are established.
- Storage box must be mounted onto 16" on-center studs.

1. Drill pilot holes for screws: 0.149 (#25 drill) for sheet metal screws or 3/32 for wood screws.
2. Mount bottom box to wall by inserting screws through rubber bumpers and then through back into wall stud.



3. Determine desired distance from bottom box to top section.
4. Mount top section to wall by inserting screws through rubber bumpers and then through back into wall stud.



## MAINTENANCE

NOTE: Inspect device prior to use for signs of damage and general wear.

## STORING COUCHTOP

1. Place couhtop into bottom box and lean against top section.
2. Adhere velcro strap around couhtop to hold in place.



 **MEDTEC LLC**

1401 8th Street SE  
Orange City, IA 51041  
United States

800.842.8688, +1 712.737.8688  
[info@cqmedical.com](mailto:info@cqmedical.com)

---

COPYRIGHT © 2024 ALL RIGHTS RESERVED. CQ MEDICAL IS A TRADEMARK OF MEDTEC LLC. ALL OTHER TRADEMARKS ARE PROPERTY OF THEIR RESPECTIVE OWNERS. PRINTED IN USA.

[www.CQmedical.com](http://www.CQmedical.com)