

# IPPS™ Couchtop

*for use with Accuray RoboCouch™*

INSTRUCTIONS FOR USE (IFU)

---





**INTENDED USE**

The device is intended to aid in patient positioning.

**CAUTION**

Federal (United States) law restricts this device to sale by or on the order of a physician.

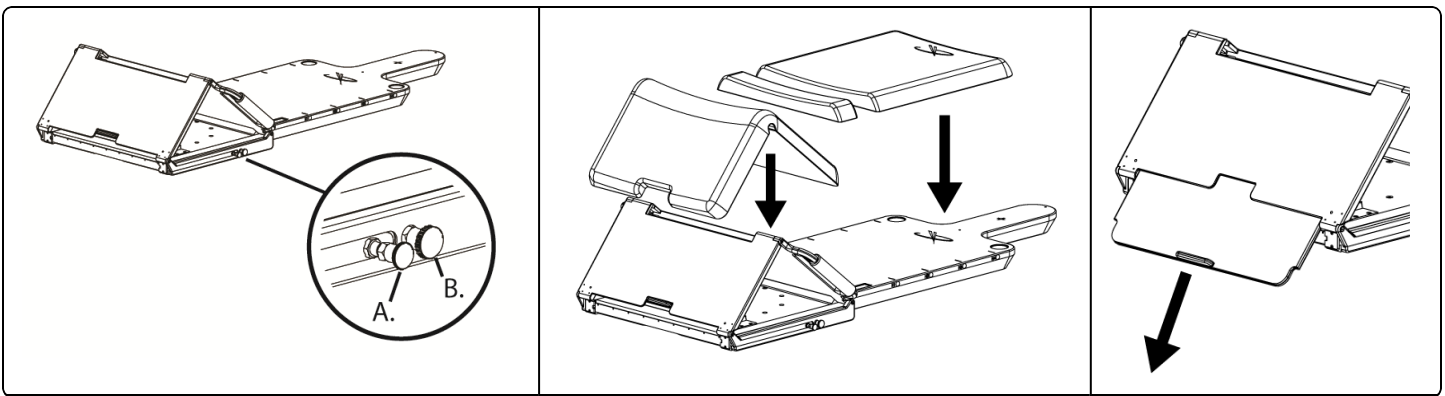
**⚠ WARNING**

- Do not use if device appears damaged.
- Verify all angles of treatment and attenuation characteristics prior to treating patients.
- Do not exceed a patient weight of 500 lbs (226.8 kg).
- Device is intended for use with the Accuray® system only. Please contact Accuray® for installation instructions.
- Ensure all fixtures are locked prior to treatment.
- Do not reposition seat device with patient on it.
- Ensure device is secure prior to use.

NOTE: If any serious incident occurs in relation to device, incident should be reported to manufacturer. If incident occurred within the European Union, also report to the competent authority of the Member State in which you are established.

**USING SEAT**

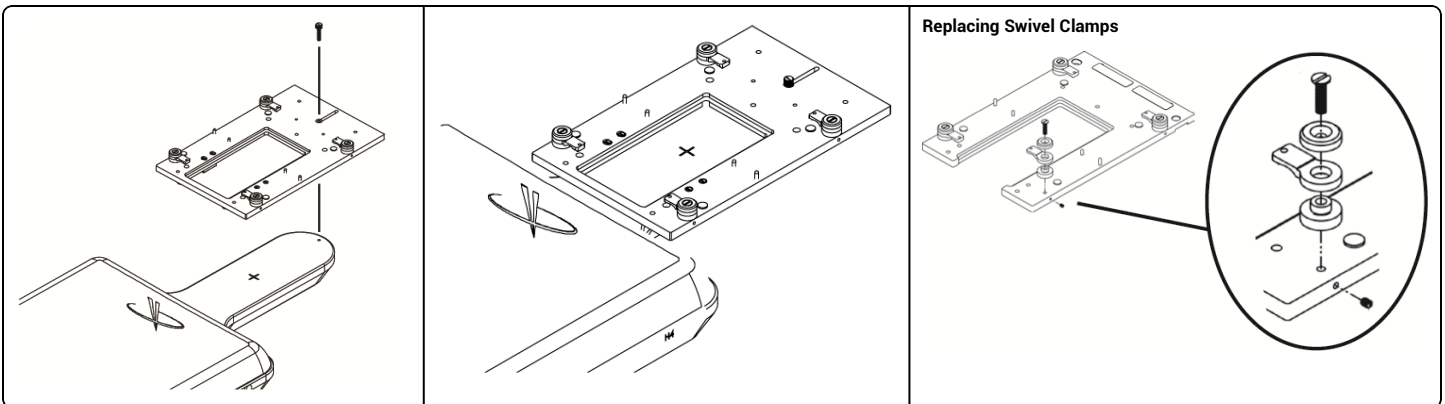
1. Adjust angle of seat by utilizing small pin (A).
2. Adjust position of seat by utilizing large pin (B).
3. Place cushions as desired.
4. Extend foot extension by pulling on handle.



**USING UNI-FRAME® BASEPLATE**

1. Attach baseplate to couchtop using screw (provided).
2. Adjust baseplate to desired longitudinal position.
3. Turn swivel clamps (4) to point outward.
4. Place shim (provided) onto baseplate pins, if desired.
5. Place desired headrest onto baseplate.
6. Position patient onto baseplate for thermoplastic setup (refer to thermoplastic instruction).
7. Turn swivel clamps (4) inward to secure thermoplastic.

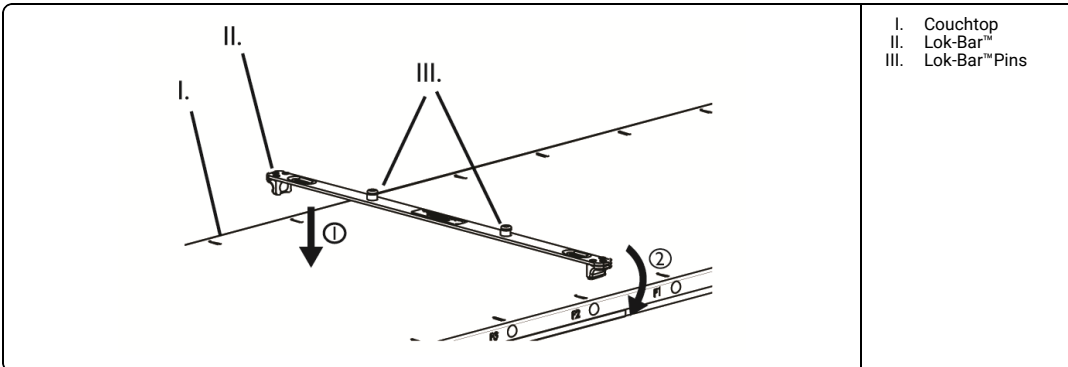
NOTE: Only use shim when first forming thermoplastic mask.



USING Lok-Bar™**⚠ WARNING**

- Do not use Lok-Bar™ to secure positioning devices.

1. Snap Lok-Bar™ at appropriate longitudinal position. Ensure Lok-Bar™ is secure.
2. Place positioning accessory onto Lok-Bar™ pins.

REPROCESSING**⚠ WARNING**

- Users of this product have an obligation and responsibility to provide the highest degree of infection control to patients, co-workers and themselves. To avoid cross-contamination, follow infection control policies established by your facility.

1. Wipe all surfaces with common germicidal or antiseptic wipe, such as alcohol.

MAINTENANCE

NOTE: Inspect device prior to use for signs of damage and general wear.

**预期用途**

本器械用于辅助患者的定位。

**小心**

联邦（美国）法律限制本器械只能由医生销售或订购。

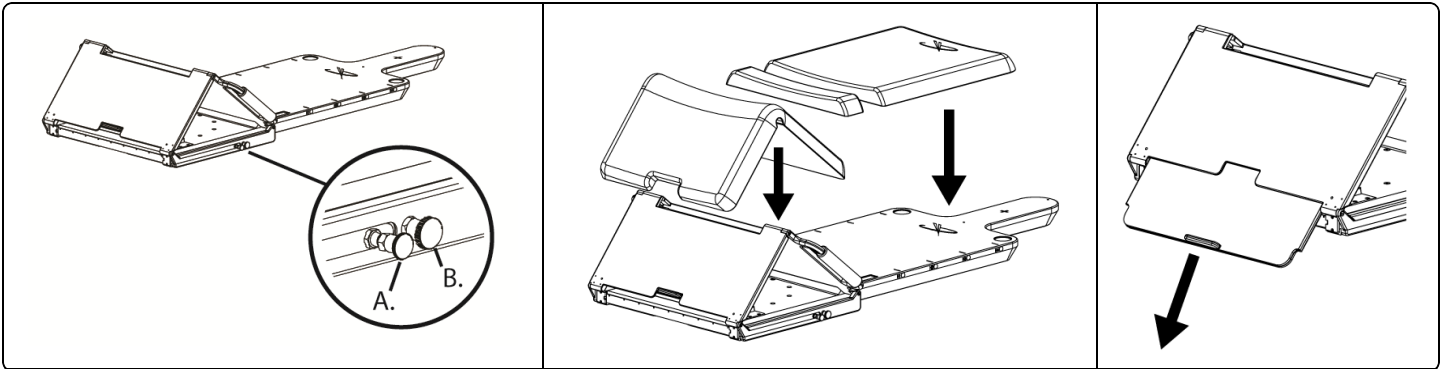
**警告**

- 如果设备有损坏迹象，请勿使用。
- 对患者进行治疗前，请验证所有治疗角度和衰减特性。
- 患者体重不得超过500磅（226公斤）。
- 本器械只能与Accuray®系统一起使用。请联系Accuray®了解安装说明。
- 确保治疗前锁定所有紧固件。
- 患者在座椅装置上时，请勿重新定位该装置。
- 使用前确保器械紧固。

注意： 如果发生设备相关的严重事故，应向制造商报告事故。如果事故发生在欧洲联盟，还应向所在的成员国主管机构报告。

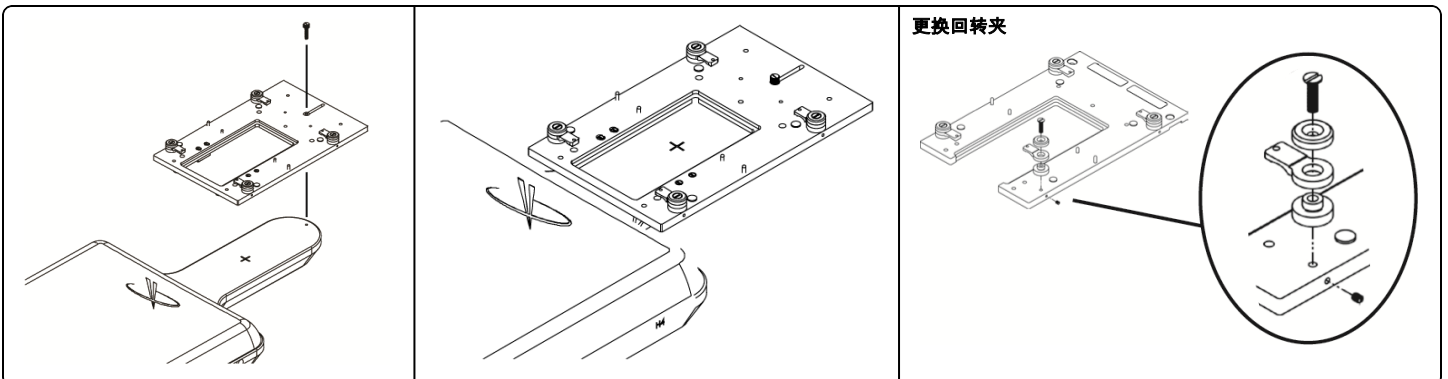
**使用座椅**

1. 使用小销 (A) 调整座椅角度。
2. 使用大销 (B) 调整座椅位置。
3. 根据需要放置气垫。
4. 拉动把手以延长脚部加长线。

**使用UNI-FRAME®基板**

1. 使用螺丝（已配备）将底板连接到长椅顶部。
2. 将底板调整到需要的纵向位置。
3. 转动回转夹（4）朝向外侧。
4. 如需要，将垫片（提供）安放在基板插销上。
5. 将所需的头枕放在基板上。
6. 将患者定位在基板上，以进行热塑性材料设置（参阅热塑性材料说明）。
7. 向内转动回转夹（4），以固定热塑性材料。

注意： 仅在热塑性塑料面罩首次成形时使用垫片。

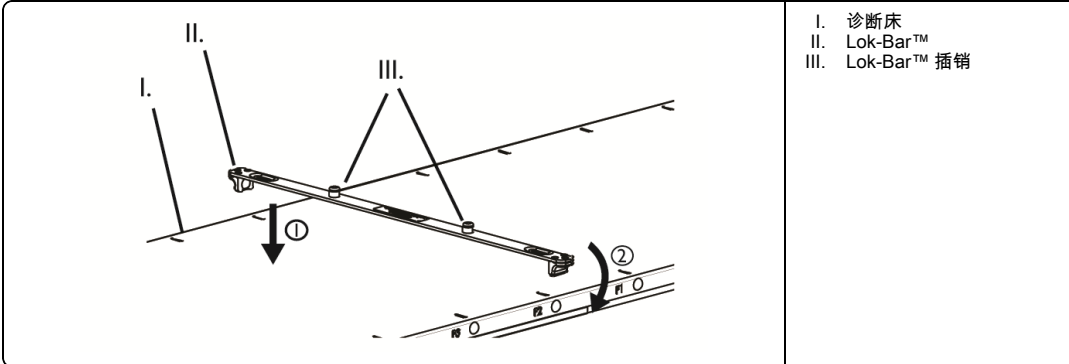


**使用LOK-BAR™**

**警告**

- 切勿使用Lok-Bar™固定定位装置。

1. 将Lok-Bar™卡接到适当的纵向位置。确保Lok-Bar™卡接牢固。
2. 将定位配件置于Lok-Bar™插销上。



- I. 诊断床
- II. Lok-Bar™
- III. Lok-Bar™ 插销

**再处理**

**警告**

- 此产品的用户有义务和责任为患者、同事及其自身提供最高级别的感染控制。为了避免交叉感染，请遵守您所在单位制定的感染控制政策。

1. 用酒精等常用杀菌剂擦拭所有表面。

**维护**

注意： 在使用之前，检查器械是否有损坏迹象和一般性磨损。

**产品名称:** 人体定位袋

**备案凭证编码:**

国械备20180866号

国械备20161113号

国械备20190114号

**产品技术要求编码:**

国械备20180866号

国械备20161113号

国械备20190114号

**备案人名称:** MEDTEC, LLC

美泰柯有限公司

**备案人注册地址:** 1401 8th St. SE, Orange City, IA, 51041, United States

**生产地址:** 1401 8th St. SE, Orange City, IA, 51041, United States

**电话:** 319 2486757

**代理人:** 广州康理医疗器械有限公司

**代理人注册地址:** 广州市天河区华夏路30号2701室

**电话:** 020-38080269

**传真:** 020-38080299

**售后服务机构名称:** 广州康理医疗器械有限公司

**地址:** 广州市天河区体育东路108号东座602单元

**电话:** 020-38080269

**型号规格:** 见标签

**结构及组成:** 见标签

**生产日期:** 见标签


**失效日期:** 见标签

**预期用途:** 用于放疗患者的体位固定。

**说明书编制日期:** 2013/6/5

**说明书修订日期:** 2024/10/31



 MEDTEC LLC  
1401 8th Street SE  
Orange City, IA 51041  
United States  
[info@cqmedical.com](mailto:info@cqmedical.com)

---

COPYRIGHT © 2024 ALL RIGHTS RESERVED. CQ MEDICAL IS A TRADEMARK OF MEDTEC LLC. IPPS AND LOK-BAR ARE TRADEMARKS OF MEDTEC LLC. ALL OTHER TRADEMARKS ARE PROPERTY OF THEIR RESPECTIVE OWNERS. PRINTED IN USA.

[www.CQmedical.com](http://www.CQmedical.com)