

Body Pro-Lok ONEBridge™

TECHNICAL DATA SHEET

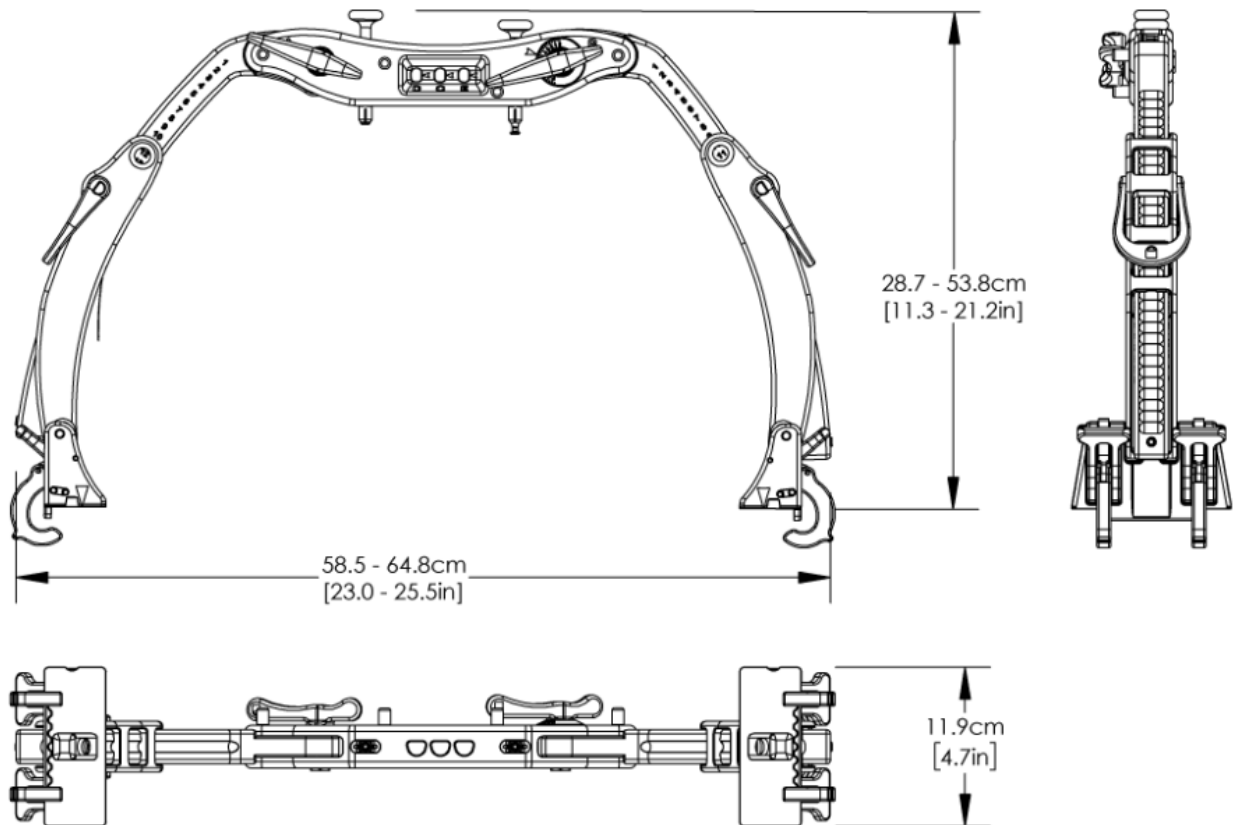


PRODUCT NAME	Body Pro-Lok ONEBridge
PRODUCT NUMBER	BPL001 ONEBridge, compatible with Universal Couchtop™ profiles, including TotalRT™ Platform RT-4800-B3 ONEBridge, compatible with InfinityEdge™ profiles, including Alta™ Multipurpose Device, kVue™ Couchtop Low-e™ and DoseMax™ Inserts
GENERAL DESCRIPTION	As a central component of the Body Pro-Lok ONE System, the ONEBridge's unique design allows for a full range of height adjustments while expanding or constricting its contour based on height. The bridge features lateral and tilting adjustments to adapt to the patient's natural posture and body type and for enhanced gantry clearance. The ONEBridge accepts the Wide and Standard Respiratory Plates and Clam-Lok™ Cushion.
INDICATIONS FOR USE	The device is intended to aid in support and positioning of patients during MR, radiological and other procedures.
MR SAFE	Yes
INTEGRATION	Connects directly to couchtop or platform.
FDA CLEARANCE	Yes
CE MARKED (EU DOC)	Yes
OTHER COUNTRY REGISTRATIONS	Available upon request
COUNTRY OF MANUFACTURE	USA

TECHNICAL DETAILS

COMPONENT	BPL001 ONEBridge , compatible with Universal Couchtop profiles, including TotalRT Platform
PRIMARY MATERIALS	Acetal
WEIGHT (APPROX)	2.04 kg (4.5 lbs)
DIMENSIONS (CM)	58.5 L x 11.9 W x 28.7 H (min.) 64.8 L x 11.9 W x 53.8 H (max.)

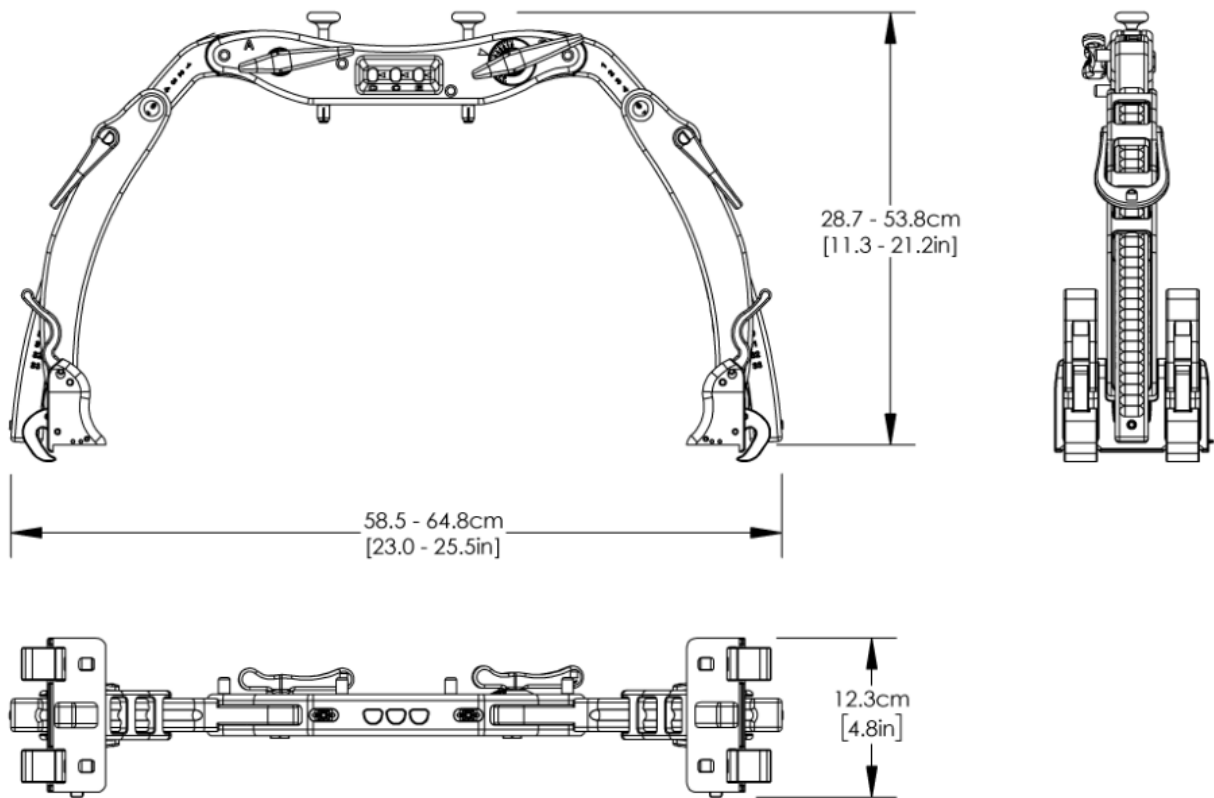
TECHNICAL DRAWING



TECHNICAL DETAILS

COMPONENT	RT-4800-B3 ONEBridge , compatible with InfinityEdge™ profiles, including Alta™ Multipurpose Device, kVue™ Couchtop Low-e™ and DoseMax™ Inserts
PRIMARY MATERIALS	Acetal
WEIGHT (APPROX)	2.04 kg (4.5 lbs)
DIMENSIONS (CM)	58.5 L x 12.3 W x 28.7 H (min.) 64.8 L x 12.3 W x 53.8 H (max.)

TECHNICAL DRAWING



PACKAGING

UNIT PACK	1 Piece
UNITS / BOX	1 Piece
SHELF LIFE	Not Applicable
WARRANTY	See website for Product Warranty Statement
STERILIZATION	Non-Sterile
RELEASE DATE	September 2014

ACCESSORIES

SYSTEM CUSTOMIZATION	COMPATIBLE WITH: Wide Respiratory Plate (BPL008) Standard Respiratory Plate (MTSBRT003) Clam-Lok Cushion (VLSBRT202FC)
----------------------	--