

# Solstat™ Immobilization System

## TECH DATA SHEET

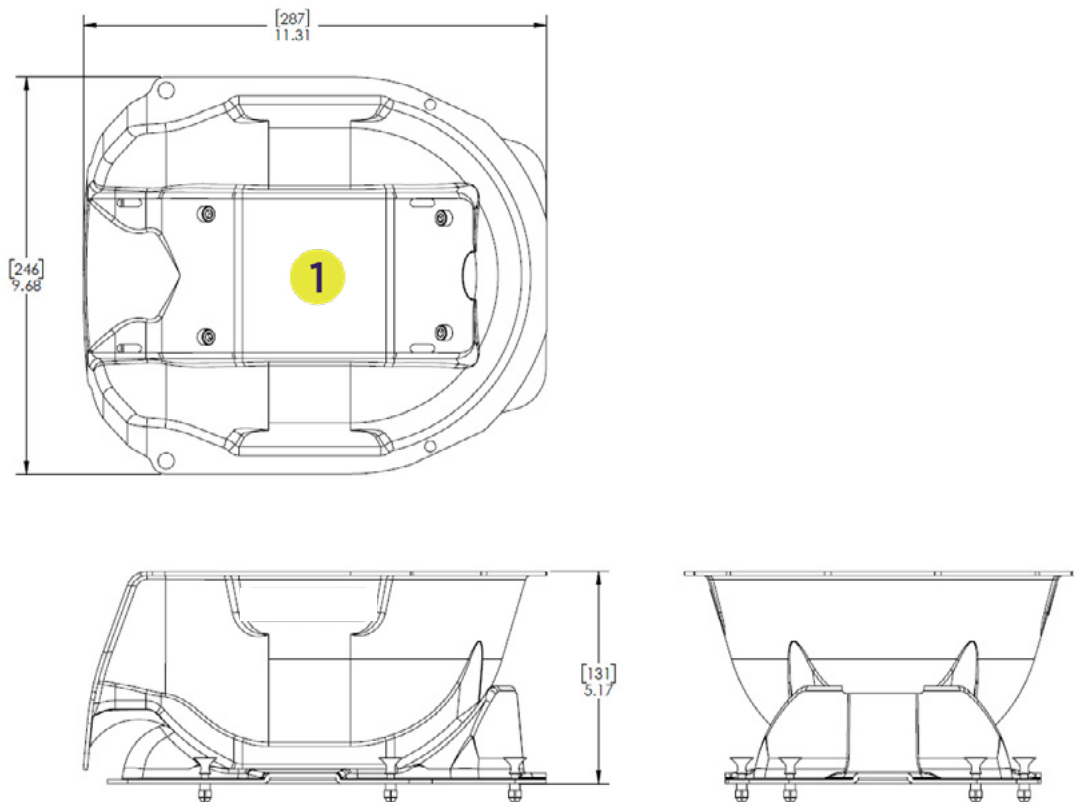


<b>PRODUCT NAME</b>	Solstat Immobilization System
<b>PRODUCT NUMBER</b>	CHS05 Solstat, Posifix® CHS06 Solstat, Type-S™
<b>GENERAL DESCRIPTION</b>	The Solstice system is comprised of a rigid head support, customizable cushion or non-custom headrest and a dedicated thermoplastic designed for secure and simple attachment. These components create a highly customizable, comfortable and rigid setup for accurate head and neck treatments.
<b>INDICATIONS FOR USE</b>	The device is indicated to position and/or immobilize adult and pediatric patients undergoing radiation therapy of the head, brain, and neck, including Surface Guided Radiation Therapy (SGRT) and electron, photon, and proton treatments. The device is also used during image acquisition, including Computed Tomography (CT), and Magnetic Resonance (MR) Imaging, to support treatment planning.
<b>MR SAFE</b>	Yes
<b>INTEGRATION</b>	For use with Posifix or Type-S extensions, baseplates and overlays
<b>CE MARKED (EU DOC)</b>	Yes
<b>OTHER COUNTRY REGISTRATIONS</b>	Available upon request
<b>COUNTRY OF MANUFACTURE</b>	USA

## TECHNICAL DETAILS

<b>PRODUCT NAME</b>	CHS05			
<b>PRODUCT NUMBER</b>	Solstat, Posifix			
<b>PRIMARY MATERIALS</b>	Bowl: Kydex-T Base: Kydex-T			
<b>WEIGHT (APPROX)</b>	1.1 lbs (0.5 kg)			
<b>DIMENSIONS (MM)</b>	287 L x 246 W x 131 H (max)			
<b>DOSIMETRIC PROPERTIES</b>	<b>LOCATION</b>	<b>FIELD SIZE</b>	<b>ATTENUATION 6 (MV)</b>	<b>ATTENUATION 18 (MV)</b>
	1-Bottom of bowl base	8 cm x 8 cm	1.55%	1.15%
	Performance Specifications are for reference only, values may vary based on setup and equipment.			

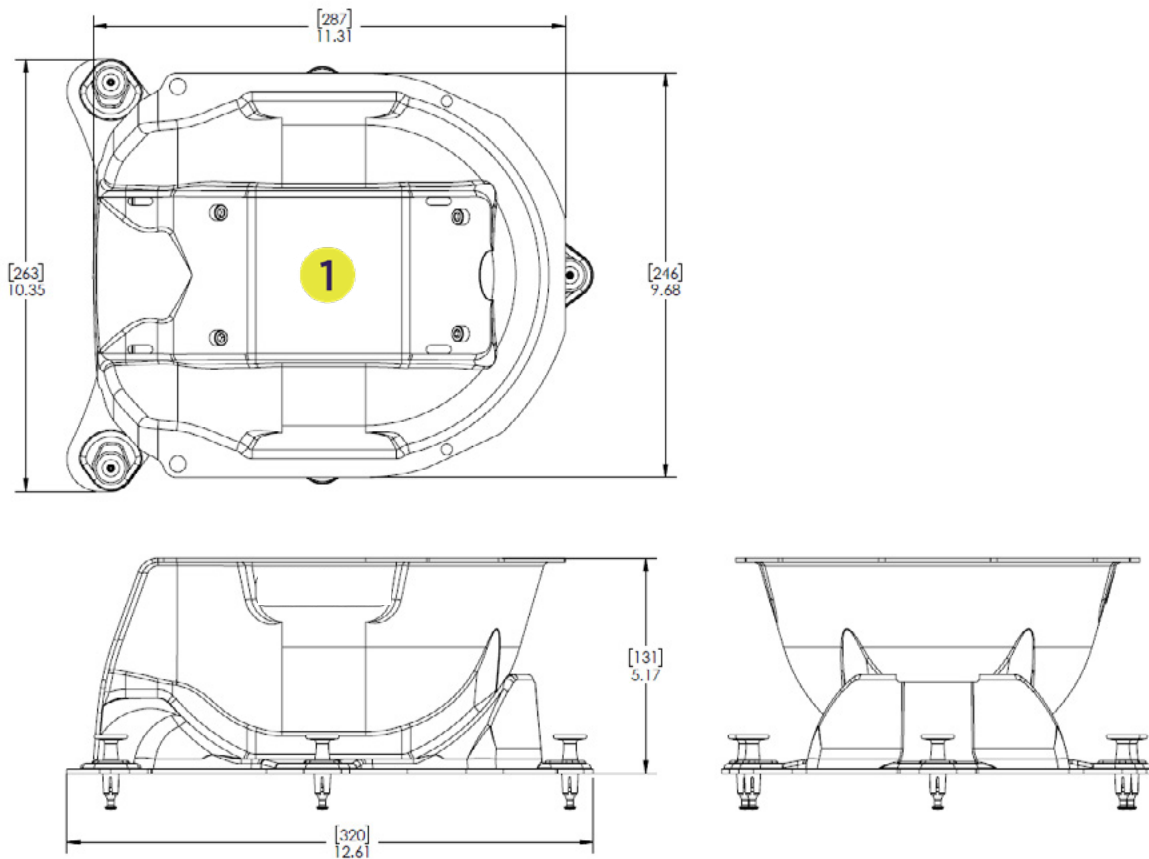
## TECHNICAL DRAWING



## TECHNICAL DETAILS

<b>PRODUCT NAME</b>	Solstat, Type-S			
<b>PRODUCT NUMBER</b>	CHS06			
<b>PRIMARY MATERIALS</b>	Bowl: Kydex-T Base: Kydex-T			
<b>WEIGHT (APPROX)</b>	1.2 lbs (0.54 kg)			
<b>DIMENSIONS (MM)</b>	320 L x 263 W x 131 H (max)			
<b>DOSIMETRIC PROPERTIES</b>	<b>LOCATION</b>	<b>FIELD SIZE</b>	<b>ATTENUATION 6 (MV)</b>	<b>ATTENUATION 18 (MV)</b>
	1-Bottom of bowl base	8 cm x 8 cm	1.55%	1.15%
	Performance Specifications are for reference only, values may vary based on setup and equipment.			

## TECHNICAL DRAWING



## PACKAGING

UNIT PACK	Each
UNITS / BOX	One
SHELF LIFE	n/a
WARRANTY	See website for Product Warranty Statement
STERILIZATION	Non-Sterile
LAUNCH DATE	September 2018

## ACCESSORIES

SYSTEM CUSTOMIZATION	<p><b>Thermoplastic</b> MTAPCID1832 Solstice™ Thermoplastic IMRT Reinforced Style 18 MTAPCIN1832 Solstice Thermoplastic IMRT Reinforced Style 18, Narrow MTAPCID1832SG Solstice Thermoplastic ClearVision™ MTAPCIN1832SG Solstice Thermoplastic ClearVision, Narrow</p> <p><b>AccuForm™ Cushions</b> MTACL2035 20 x 35 cm Chamfered MTACL2035HF 20 x 35 cm Chamfered Half Fill</p> <p><b>Headrests</b> CHS40K Headrest Kit (includes B,C &amp; F), Qty 3 CHS40 Headrest B, Qty 1 CHS41 Headrest C, Qty 1 CHS42 Headrest F, Qty 1</p> <p><b>Precise Bite™</b> MTCBPBITE Standard, Qty 5 MTCBPBITES Small, Qty 5 MTCBPBITETD Standard with Tongue Depressor, Qty 5 MTCBPBITETDS Small with Tongue Depressor, Qty 5</p>
----------------------	--