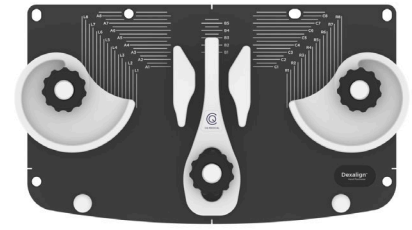


Dexalign™ Hand Positioner

TECHNICAL DATA SHEET

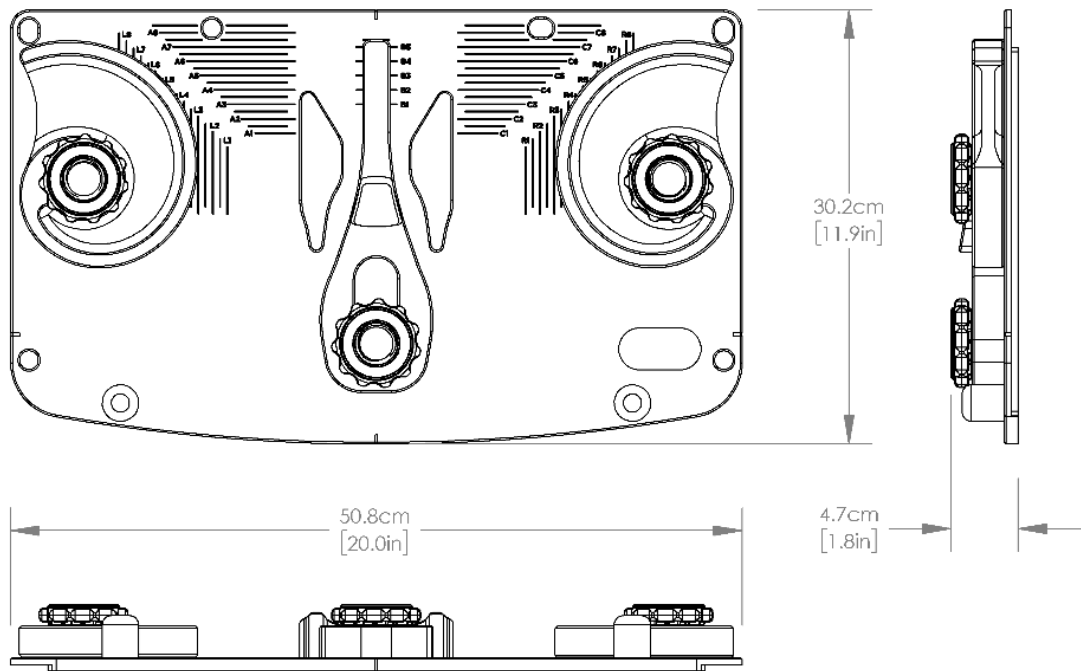


PRODUCT NAME	Dexalign Hand Positioner
PRODUCT NUMBER	RT-5401 Dexalign/CQ branded device, sold direct by CQ Medical RT-5402 JointGlow/CQ branded device, sold direct by JointGlow
GENERAL DESCRIPTION	The Dexalign Hand Positioner ensures precise and repeatable hand positioning for low-dose radiation therapy (LDRT). Designed for versatility, it seamlessly indexes to the couchtop in both longitudinal and transverse orientations
INDICATIONS FOR USE	The device is indicated to aid in supporting and positioning adult patients undergoing radiation therapy, including electron and photon treatments. The device is also used during image acquisition to support treatment planning.
MR STATUS	Not intended for use in an MR environment.
INTEGRATION	Two-pin Lok-Bar™ indexable to couchtop.
FDA CLEARANCE	Yes
CE MARKED (EU DOC)	Yes
OTHER COUNTRY REGISTRATIONS	Argentina, Mexico, Brazil, China, India, Korea, Malaysia, New Zealand, Australia, Singapore, Taiwan, Thailand, Japan, Isreal, Kazakhstan, Morocco, Russia, Saudi Arabia, Serbia
COUNTRY OF MANUFACTURE	USA

TECHNICAL DETAILS

PRODUCT NAME	Dexalign Hand Positioner		
PRODUCT NUMBER	RT-5401 and RT-5402		
SPECIAL NOTE	RT-5401 and RT-5402 are equivalent to one another with respect to all technical and design characteristics; all measurements herein are identical across the two parts.		
PRIMARY MATERIALS	ABS, Acetal		
WEIGHT (APPROX)	5.7 lbs / 2.6 kg		
DIMENSIONS (CM)	30 L x 51 W x 5 H		
DOSIMETRIC PROPERTIES	6 MV PHOTON MEASUREMENT	FIELD SIZE (cm²)	RESULT
	Attenuation	10 x 10	3.41%
	WET	10 x 10	10.2 mm
	Performance Specifications are for reference only, values may vary based on setup and equipment.		

TECHNICAL DRAWING



<u>Summary Table – Item#</u>		<u>Location</u>
1	Hand Positioner ABS Sample (Minimum 15cm x 15cm) – Unmachined	A

Table 2: Hand Positioner item tested

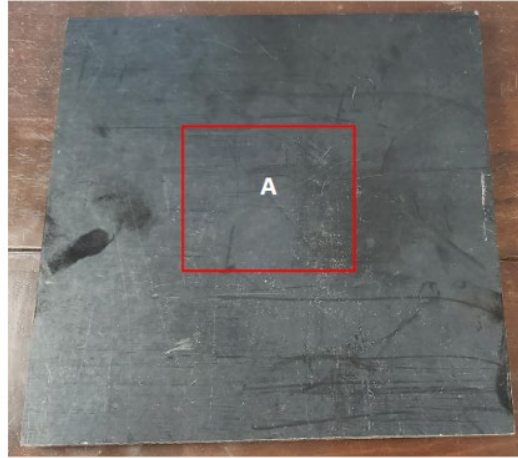


Figure 2 Test Locations for Items (Hand Positioner ABS Panel)

PACKAGING

UNIT PACK	Each
UNITS / BOX	1
SHELF LIFE	Not applicable
WARRANTY	See CQ Medical website for Product Warranty Statement
STERILIZATION	Non-sterile
LAUNCH DATE	April 2026