

.decimal[®]

On Demand Design and Delivery
of Custom Treatment Devices

Shell & Core Aperture Design

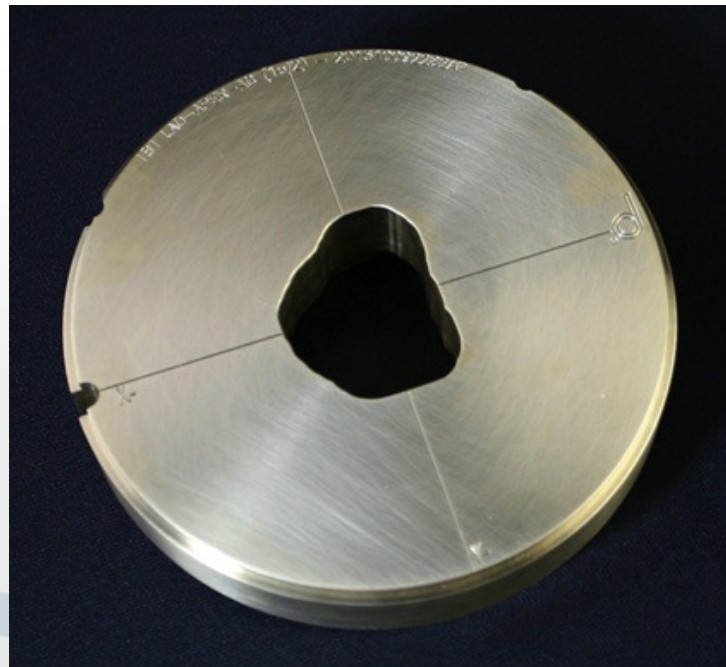
US Patent # 8,952,345

A black and white photograph of three healthcare professionals in white coats. A woman in the foreground is looking at a document. An older man with glasses and a beard is leaning over her, pointing at the document. Another woman is standing to the right, also looking at the document. The background is a light gray with a pattern of small dots.

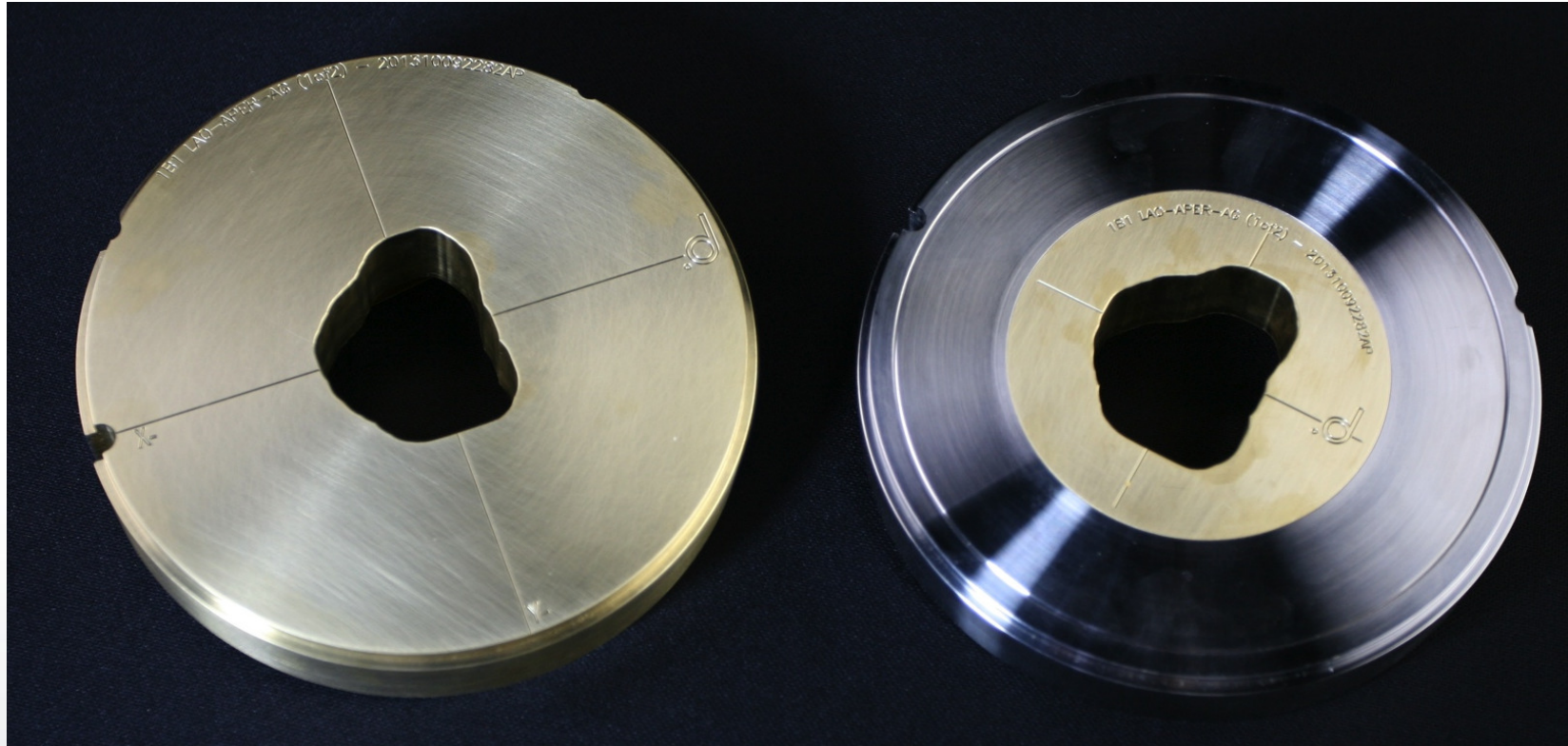
www.dotdecimal.com

Problem Summary

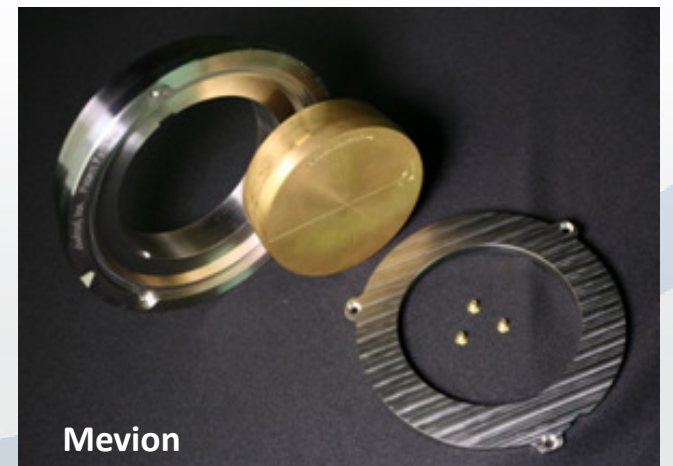
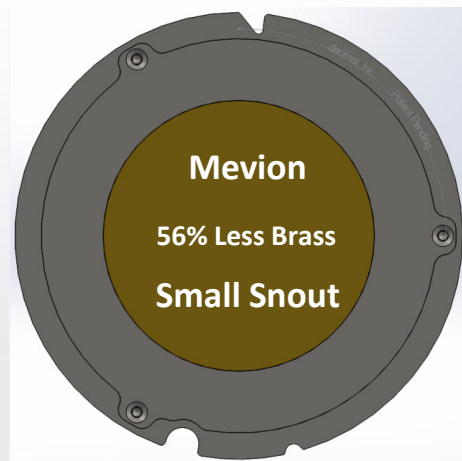
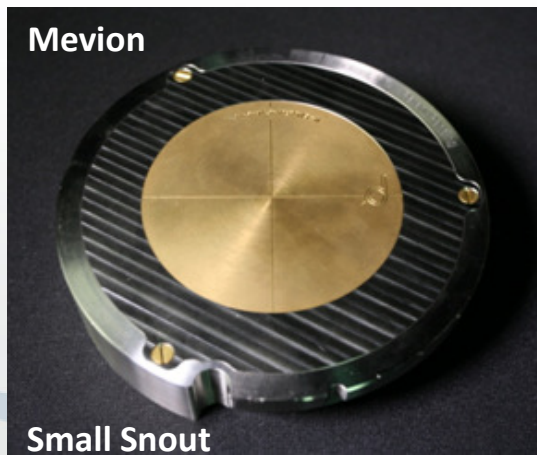
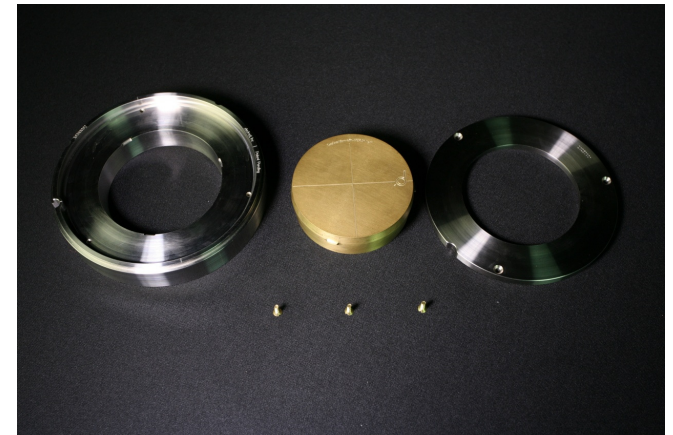
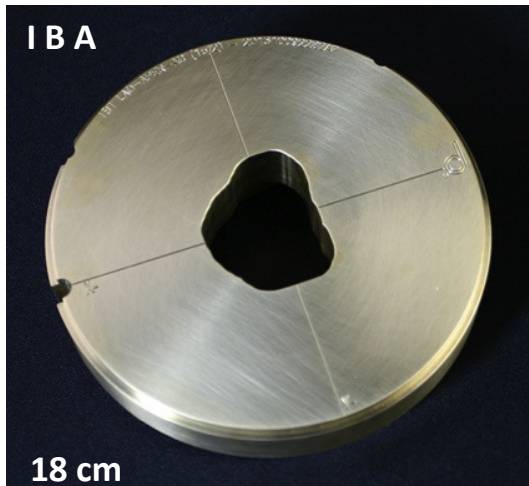
After manufacturing thousands of patient specific proton apertures, we discovered that in a substantial percentage of cases, larger than necessary blank sizes were utilized, resulting in unnecessary raw material expense.

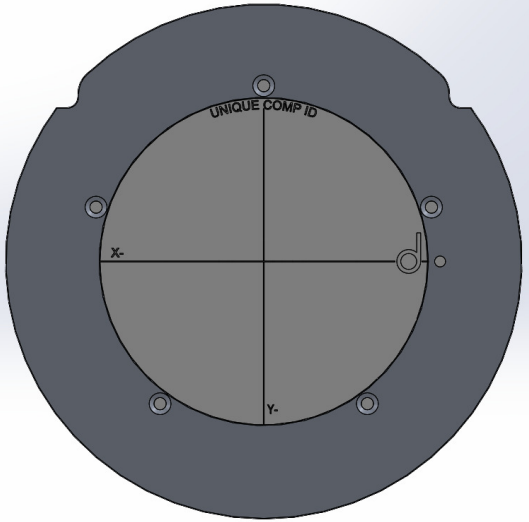


Our solution: Shell & Core...



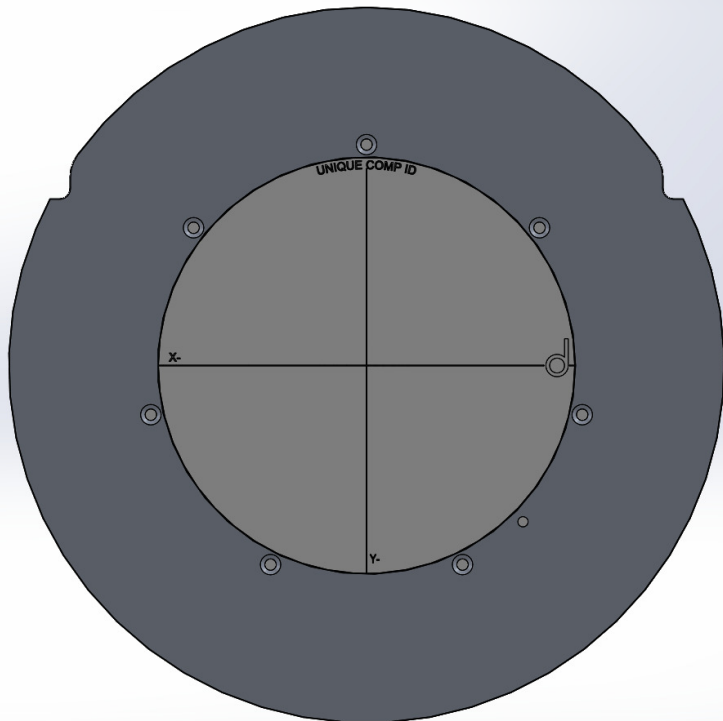
A modular system where the snout size is independent of raw material. Utilizing reusable shells made out of a durable (and cheaper) stainless steel, the consumable brass required is reduced considerably, thus reducing overall costs.





Small Comp to 10 cm Ring Adapter

In many cases, smaller comps can be employed by utilizing .decimal ring adapters, providing additional savings. .decimal's p.d software identifies eligibility.



Large Comp to Small Comp Ring Adapter

Dosimetric evaluation of hybrid brass/ stainless-steel apertures for proton therapy

**Hao Chen, Witold Matysiak, Stella Flampouri,
Roelf Slopsema and Zuofeng Li**

University of Florida Proton Therapy Institute, Jacksonville, Florida, USA

E-mail: zli@floridaproton.org

Received 4 December 2013, revised 11 July 2014

Accepted for publication 16 July 2014

Published 13 August 2014

.decimal[®]

On Demand Design and Delivery of Custom Treatment Devices

Thank You!



1-800-255-1613