

C-Qual™ Breastboard

TECH DATA SHEET

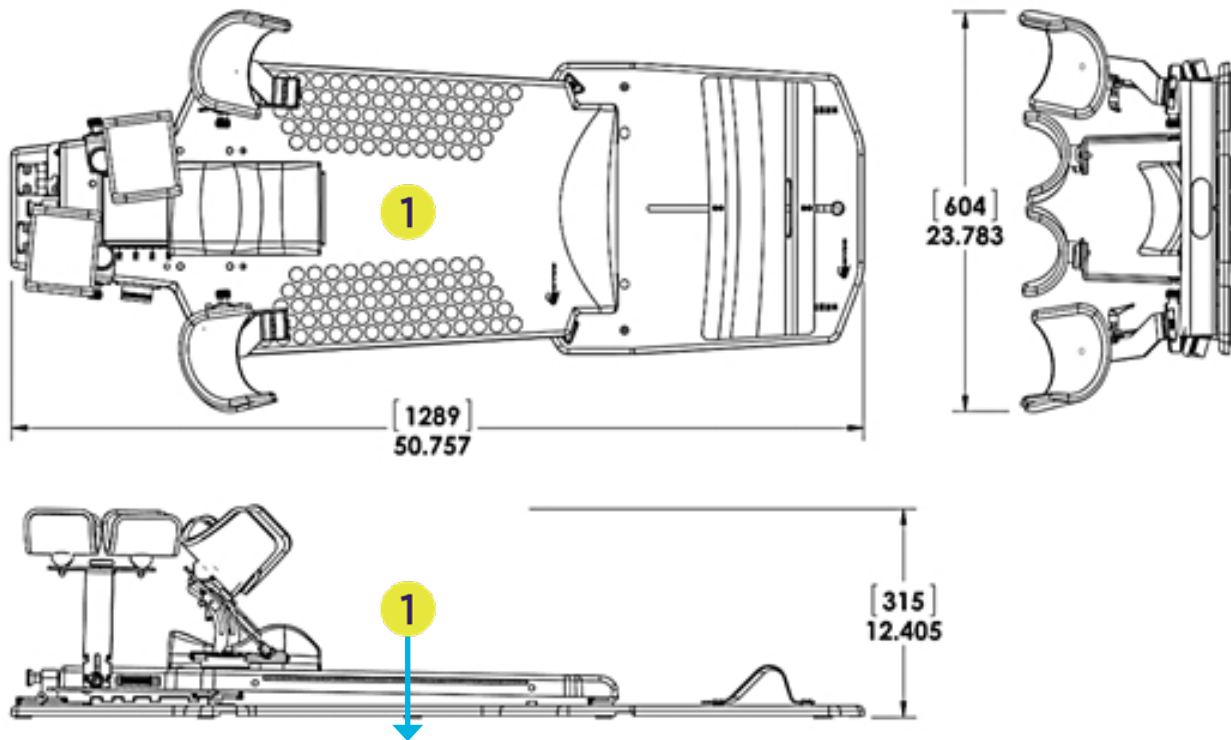


PRODUCT NAME	C-Qual Breastboard
PRODUCT NUMBER	MT400: Carbon Fiber C-Qual Breastboard with Arm and Wrist Supports MT401: Carbon Fiber C-Qual Breastboard with Monarch™ Overhead Arm Positioner
GENERAL DESCRIPTION	The C-Qual assists in providing comfortable, reproducible patient positioning for supine breast treatment. The breast board features a positive-locking tilt system, helping to ensure proper breast set-up angulation. Its carbon fiber treatment grid and adjustable arm and wrist supports aid in comfortable arms-up positioning for enhanced breast treatment access.
INDICATIONS FOR USE	Breast cancer patients unable to lie prone. Smaller-breasted patients. Need for clearer visualization of medial field edge. Enhanced CT-gantry clearance.
INTEGRATION	2-Pin Lok-Bar™ Indexable to Couchtop
FDA CLEARANCE	Yes
CE MARKED (EU DOC)	Yes
OTHER COUNTRY REGISTRATIONS	Available upon request
COUNTRY OF MANUFACTURE	USA

TECHNICAL DETAILS

PRIMARY MATERIALS	Carbon Fiber	
WEIGHT (APPROX)	8.89 kg / 19.6 lbs	
DIMENSIONS (MM)	1289 L x 604 W x 315 H (min.)	
DOSIMETRIC PROPERTIES	LOCATION	ATTENUATION 6 MV PHOTONS
	1-Through entire Breastboard, Back Support & Base	3.11%

TECHNICAL DRAWING



PACKAGING

UNIT PACK	Each
UNITS / BOX	One device - may have several component parts in box
SHELF LIFE	n/a
WARRANTY	See website for Product Warranty Statement
STERILIZATION	Non-Sterile
LAUNCH DATE	August 2009

ACCESSORIES

SYSTEM CUSTOMIZATION	Compatible with: Posicast® Thermoplastics Posifix® Headrests Breast Support Thermoplastics Vac-Lok™ Cushions Monarch™ Overhead Arm Positioner: OAP100 C-Qual Storage: 013156
----------------------	--