

C-Qual M™ Breastboard with Monarch™ Overhead Arm Positioner

TECH DATA SHEET

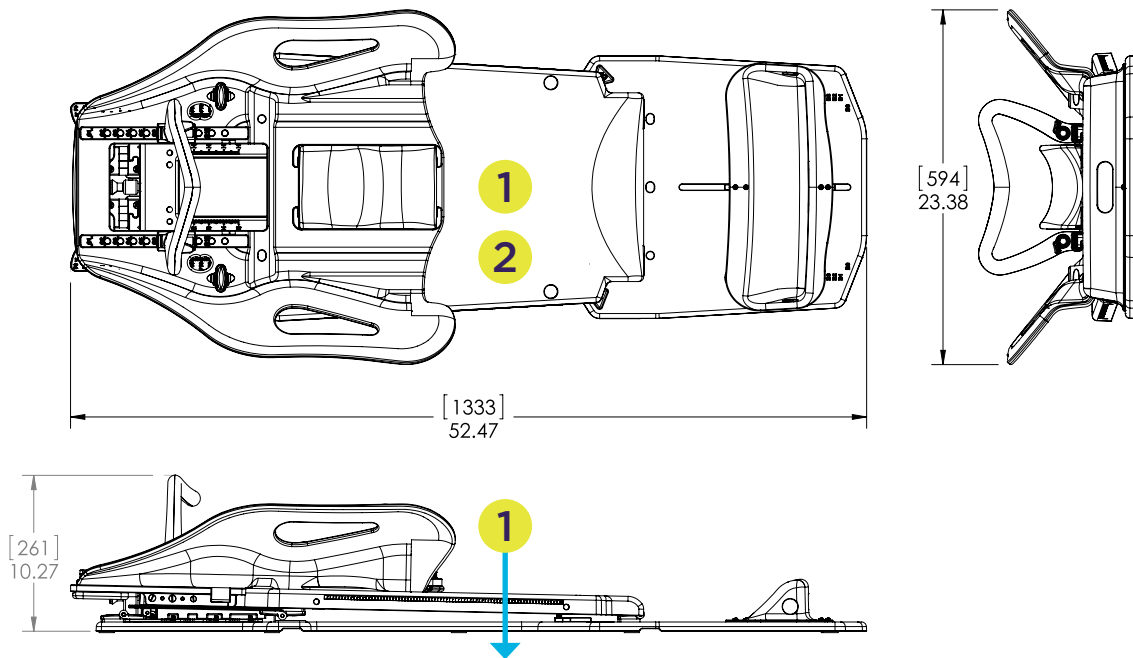


PRODUCT NAME	C-Qual M Breastboard	
PRODUCT NUMBER	MTM400	C-Qual M Supine Breastboard with Monarch Overhead Arm Positioner
	OAP100	Monarch Overhead Arm Positioner for use with C-Qual™
	OAP110	Monarch Overhead Arm Positioner for use with Lok-Bar™
	OAP120	Monarch Thermoplastic Frame Only, Upgrade Kit for Monarch Overhead Arm Positioner
	OAP221	Pro Handle
GENERAL DESCRIPTION	The C-Qual M assists in providing comfortable, reproducible patient positioning for supine breast treatment. The board features an enhanced bottom stop. The board integrates with the Monarch Overhead Arm Positioner to provide an efficient approach for arms-up positioning, allowing for proper superior/inferior adjustment of the board to the patient which helps reduce patient slide.	
INDICATIONS FOR USE	OAP110 OAP221	The device is intended to support and aid in positioning a patient during radiologic and other medical procedures. Devices are used to aid in the support and positioning of patients during an MRI.
	MTM400 including OAP100	The device is indicated to aid in supporting and positioning adult and adolescent patients undergoing radiation therapy of the breast and chest region including electron, photon, and proton treatments. Device is also used to position the patient during image acquisition to support treatment planning including in Computed Tomography (CT) and Magnetic Resonance (MR) imaging systems. The device is not intended for use with patients under 12 years of age.
MR CONDITIONAL	MTM400 OAP100 OAP110 OAP221	MR Conditional. Products pose no known hazard in 1.5 and 3.0T MR environments.
INTEGRATION	2 or 3-Pin Indexable to Couchtop	
FDA CLEARANCE	Yes	
CE MARKED (EU DOC)	Yes	
OTHER COUNTRY REGISTRATIONS	Available upon request	
COUNTRY OF MANUFACTURE	USA	

TECHNICAL DETAILS

PRIMARY MATERIALS	Kevlar, Black Acetal, Grey Kydex, Black ABS		
WEIGHT (APPROX)	10.89 kg / 24 lbs		
DIMENSIONS (MM)	1333 L x 594 W x 261 H (min.)		
DOSIMETRIC PROPERTIES	LOCATION	ATTENUATION 6 MV PHOTONS	PROTON WATER EQUIVALENCY R80
	1-Through entire Breastboard, Back Support & Base	3.7%	-
	2-Right Side	-	3.5 mm
	Performance Specifications are for reference only, values may vary based on setup and equipment.		

TECHNICAL DRAWING



PACKAGING

UNIT PACK	Each
UNITS / BOX	One device - may have several component parts in box
SHELF LIFE	n/a
WARRANTY	See website for Product Warranty Statement
STERILIZATION	Non-Sterile
LAUNCH DATE	October 2015

ACCESSORIES

SYSTEM CUSTOMIZATION	Compatible with: Posicast® Head-Only Thermoplastics (with OAP120) Posifix® Headrests Breast Support Thermoplastics Vac-Lok™ Cushions C-Qual Storage: 013156
----------------------	--