


# Evolve™ Breastboard

## TECHNICAL DATA SHEET



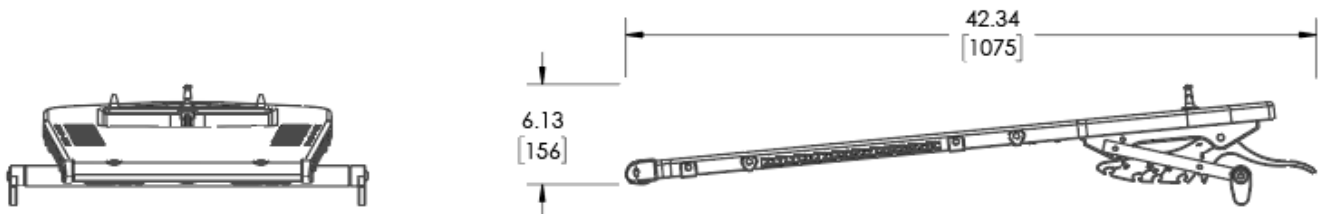
<b>PRODUCT NAME</b>	Evolve Breastboard
<b>PRODUCT NUMBER</b>	<b>OAP200</b> Evolve Slant Board Only <b>OAP240</b> Evolve Slant Board, Bottom Board with Bottom Stop <b>MTM500</b> Evolve Pro Breastboard. Includes Slant Board, Bottom Board with Bottom Stop, Pro Wing Board™, Pro Handles and Gel Head Cup (see Pro Wing Board Technical Data Sheet)
<b>GENERAL DESCRIPTION</b>	The lightweight Evolve Breastboard solution allows quick and simple indexing of many Wing Boards which aids in reproducibility without sacrificing patient comfort. Many hand grips, headrests and thermoplastic options easily integrate to maximize positioning options based on patient or clinical need. The board is indexable to couchtops with or without an optional folding bottom board and features smooth adjustability between five elevation angles.
<b>INDICATIONS FOR USE</b>	The device is indicated to aid in support and positioning adult and adolescent patients undergoing radiation therapy of the breast and chest region including electron, photon, and proton treatments. Device is also used to position the patient during image acquisition to support treatment planning including in Computed Tomography (CT) and Magnetic Resonance (MR) imaging systems. The device is not intended for use with patients under 12 years of age.
<b>MR SAFE</b>	Yes
<b>INTEGRATION</b>	2 or 3-Pin indexable to couchtop or platform
<b>FDA CLEARANCE</b>	Yes
<b>CE MARKED (EU DOC)</b>	Yes
<b>OTHER COUNTRY REGISTRATIONS</b>	Available upon request
<b>COUNTRY OF MANUFACTURE</b>	USA

## TECHNICAL DETAILS

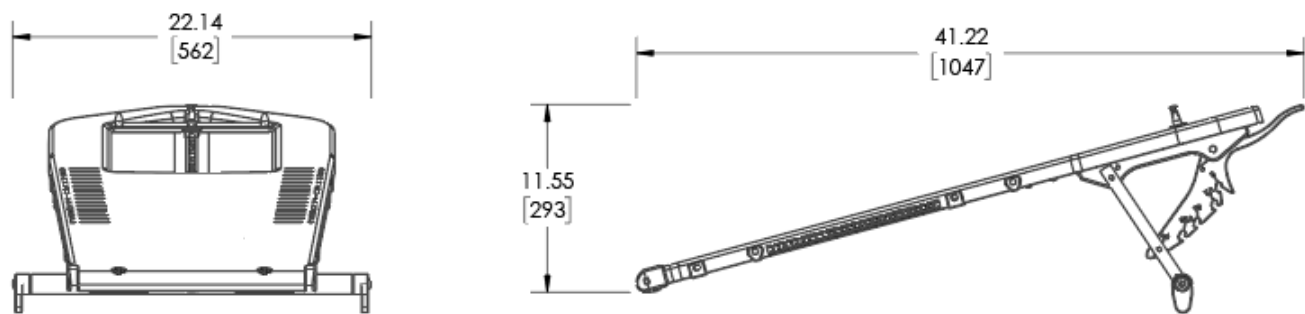
<b>COMPONENT</b>	OAP200 Evolve Slant Board			
<b>PRIMARY MATERIALS</b>	Glass Fiber, Foam Core			
<b>WEIGHT (APPROX)</b>	5.19 kg / 11.45 lbs			
<b>MAX PATIENT WEIGHT</b>	158.7 kg / 350 lbs			
<b>DIMENSIONS (MM)</b>	1047 L x 562 W x 293 H (max) 1075 L x 562 W x 156 H (min)			
<b>DOSIMETRIC PROPERTIES</b>	<b>LOCATION</b>	<b>FIELD SIZE (CM<sup>2</sup>)</b>	<b>ATTENUATION 6 MV PHOTONS</b>	<b>ATTENUATION 18 MV PHOTONS</b>
		10 x 10	2.13%	1.66%
Performance Specifications are for reference only, values may vary based on setup and equipment.				

## TECHNICAL DRAWING



### 5 DEGREES - MINIMUM SETTING



### 15 DEGREES - MAXIMUM SETTING

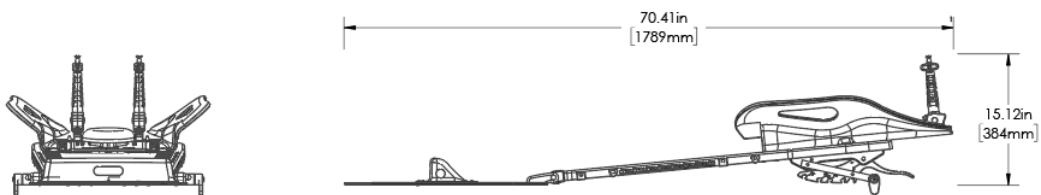


## TECHNICAL DETAILS

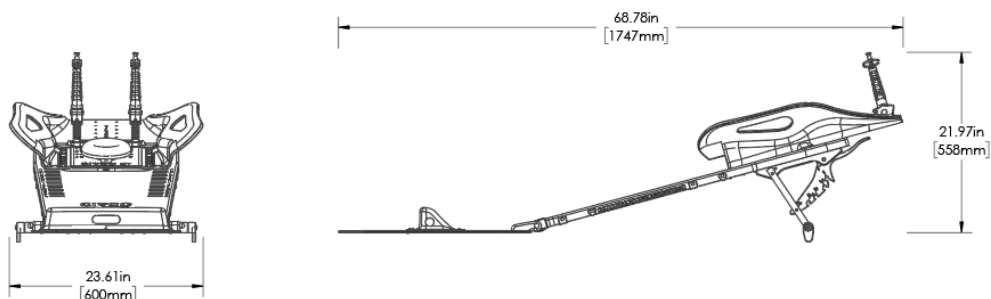
<b>COMPONENT</b>	MTM500 Evolve Slant Board, Bottom Board, and Pro Wing Board			
<b>PRIMARY MATERIALS</b>	Slant Board: Glass Fiber, Foam Core Bottom Board: Polyethylene Pro Wing Board: Black ABS			
<b>WEIGHT (APPROX)</b>	Slant Board: 5.19 kg / 11.45 lbs Bottom Board: 2.1 kg / 4.7 lbs Pro Wing Board: 3.6 kg / 7.9 lbs (with gel head cup and handles)			
<b>MAX PATIENT WEIGHT</b>	Slant Board: 158.7 kg / 350 lbs			
<b>DIMENSIONS (MM)</b>	1047 L x 562 W x 293 H (max) 1075 L x 562 W x 156 H (min)			
<b>DOSIMETRIC PROPERTIES</b>	<b>LOCATION</b>	<b>FIELD SIZE (CM<sup>2</sup>)</b>	<b>ATTENUATION 6 MV PHOTONS</b>	<b>ATTENUATION 18 MV PHOTONS</b>
		10 x 10	2.13%	1.66%
		10 x 10	2.11%	1.03%
Performance Specifications are for reference only, values may vary based on setup and equipment.				

## TECHNICAL DRAWING

### 5 DEGREES - MINIMUM SETTING



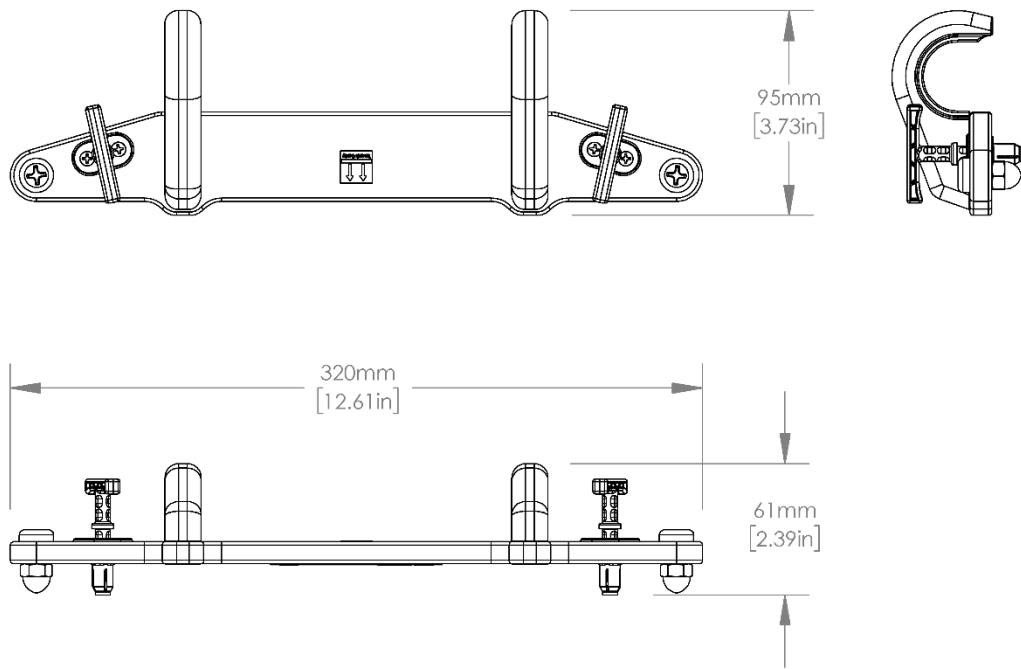
### 15 DEGREES - MAXIMUM SETTING



## TECHNICAL DETAILS

<b>COMPONENT</b>	OAP226 Evolve Type-S™ Locating Bar
<b>PRIMARY MATERIALS</b>	Polyoxymethylene, stainless steel and polyamide screws
<b>WEIGHT (APPROX)</b>	0.29 kg / 0.63 lbs
<b>DIMENSIONS (MM)</b>	95 L x 320 W x 61 H

### TECHNICAL DRAWING



## PACKAGING

<b>UNIT PACK</b>	Each
<b>UNITS / BOX</b>	One device - many have several component parts in box
<b>SHELF LIFE</b>	n/a
<b>WARRANTY</b>	<a href="#">See website for Product Warranty Statement</a>
<b>STERILIZATION</b>	Non-Sterile
<b>LAUNCH DATE</b>	October 2022

## ACCESSORIES

<b>SYSTEM CUSTOMIZATION</b>	<b>COMPATIBLE WITH:</b> Pro Wing Board (OAP220) Extended Wing Board (MTWB08T and MTWB08U) Standard Wing Board (MTWB09) Breast Thermoplastic (MTRFI918, MTRFI9182.4, MTRFX918, MTRFX9182.4) Evolve Type-S Locating Bar (OAP226) Slide Guide Three-Pin Lok-Bar™ (MTIL6058) Technical Data Sheets for the above devices are available.
-----------------------------	--