



positioning
patients for life.®

TECHNICAL DATA SHEET

RT-4600KV-01

kVue™ Encompass™ SRS Insert



| | |
|----------------------------|---|
| Product Name | kVue Encompass SRS Insert |
| Product Number | RT-4600KV-01 |
| General Description | Patient Positioning System |
| Indications for Use | The Encompass SRS Immobilization System provides noninvasive stereotactic head and neck immobilization by |

TECHNICAL DATA SHEET – 2009059_A

using a patient specific thermoplastic mask that conforms to the patient's features to provide accurate, reproducible positioning, repositioning and immobilization. The Encompass SRS Immobilization System allows the patient to undergo diagnostic imaging in the same position as that of treatment, enabling radiation therapy.

Technical Details

Materials Foam Cored Composite

MR Compatibility NOT MR Compatible

Weight (Approx.) 4.5 kg (10 lbs)

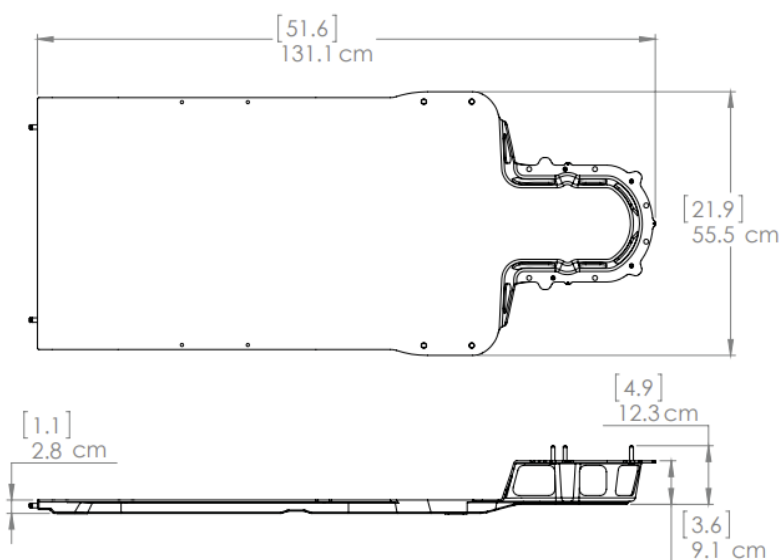
Patient Weight Capacity 249 kg (550 lbs)

Dosimetric Properties

3.4%–3.8% for the 6xFFF beam, 2.9%–3.4% for the 10xFFF, and 3.3%–3.6% for the 6X beam*

*Karen Chin Snyder, Ilma Xhaferllari, Yimei Huang, M. Salim Siddiqui, Indrin J. Chetty, Ning Wen; Evaluation and verification of the QFix Encompass™ couch insert for intracranial stereotactic radiosurgery, Journal of Applied Clinical Medical Physics, 19:4:222–229 (2018)

Technical Drawing



kVue™ Encompass™ SRS Insert
Encompass and kVue are trademarks of Qfix.

TECHNICAL DATA SHEET – 2009059_A